

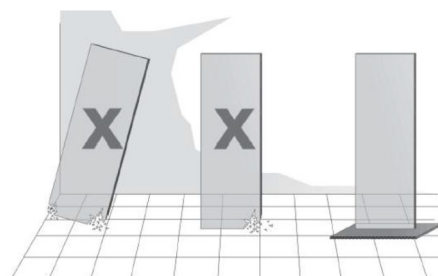
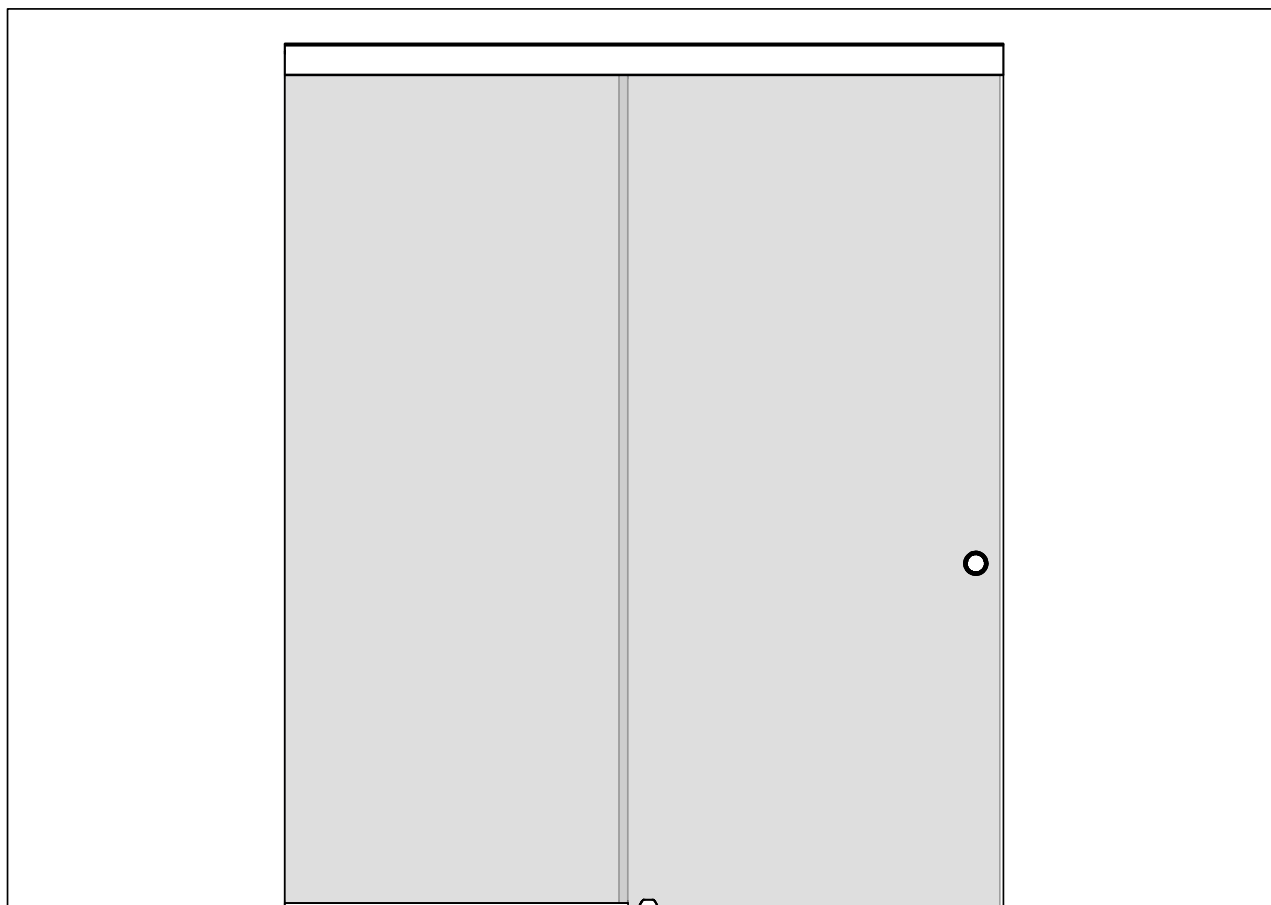


HIETAKARI®

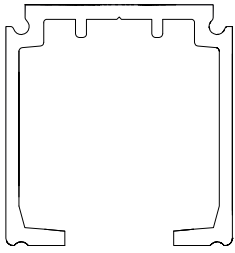


8/25 9FRLM

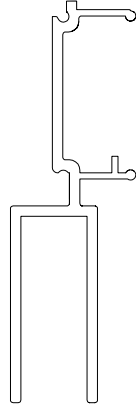
612



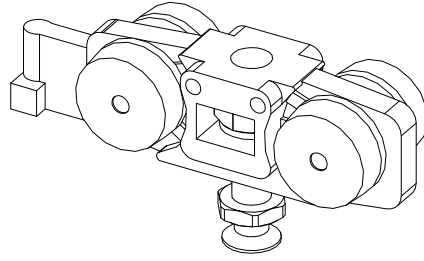
Parts



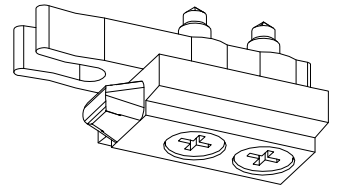
1. x1



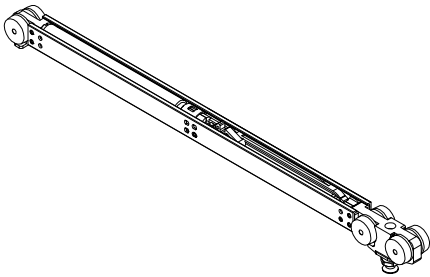
2. x1



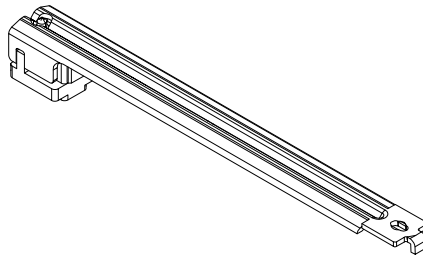
3. A x1
B x0



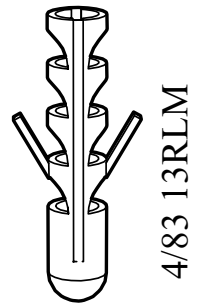
4. A x1
B x0



5. A x1
B x2



6. A x1
B x2



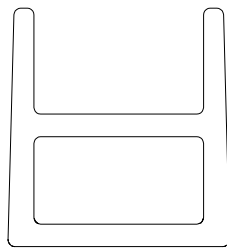
7. 6x30 mm
x11

4/83 13RLM

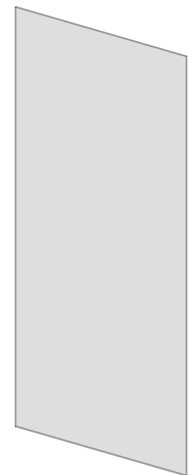


8. 3.5x39 mm
x11

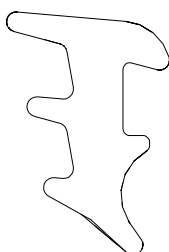
4/83 11RLM



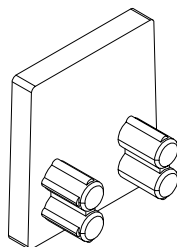
9. x1



10. x1



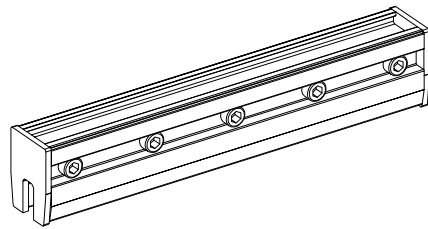
11. x4



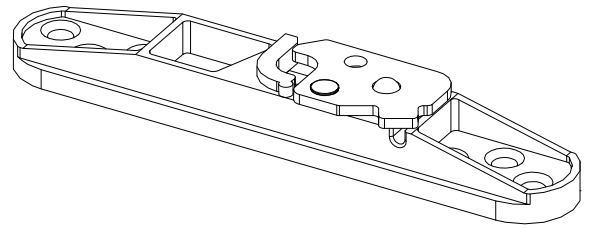
12. x1



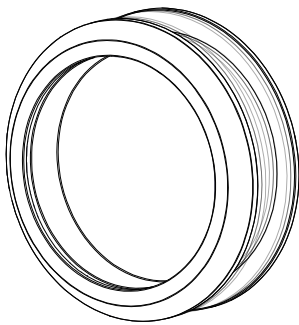
13. x1



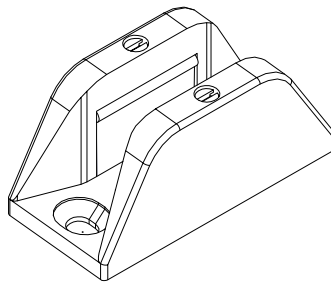
14. x2



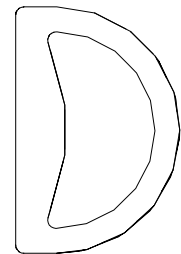
15. x2



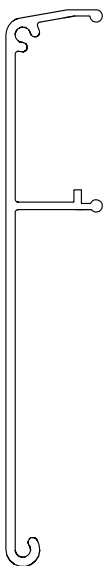
16. x1



17. x1

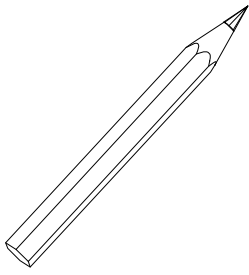


18. x2

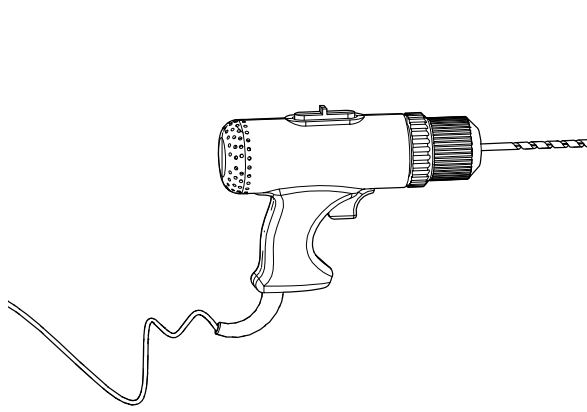


19. x2

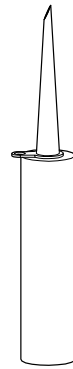
Tools



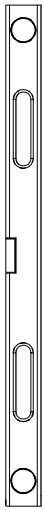
A



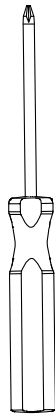
Ø6 mm
B



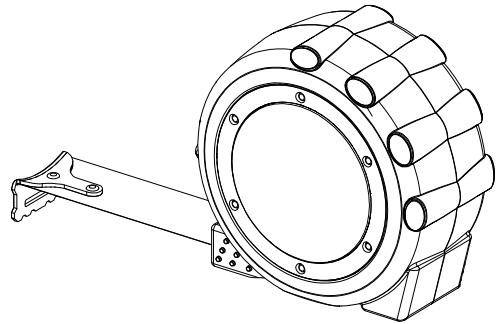
C – Silicone
D – Glue



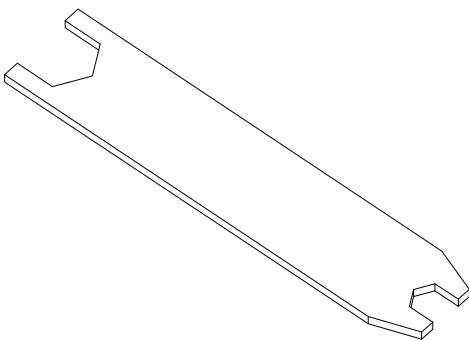
E



F

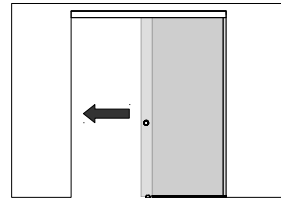
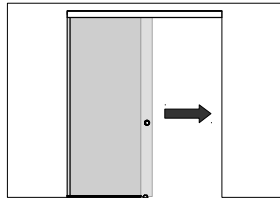


G



H

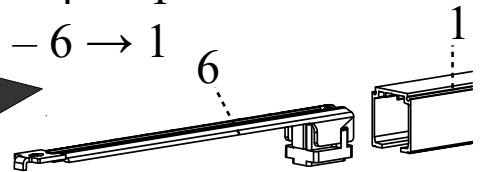
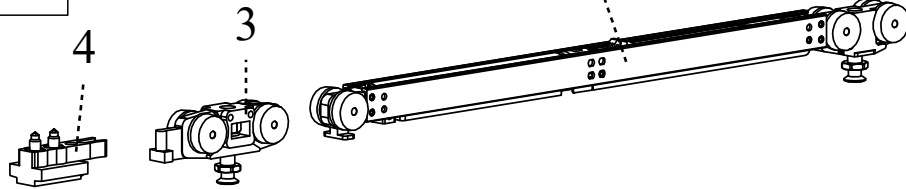
1



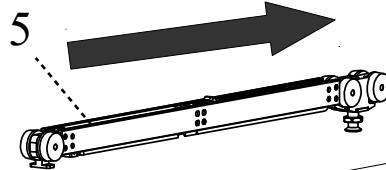
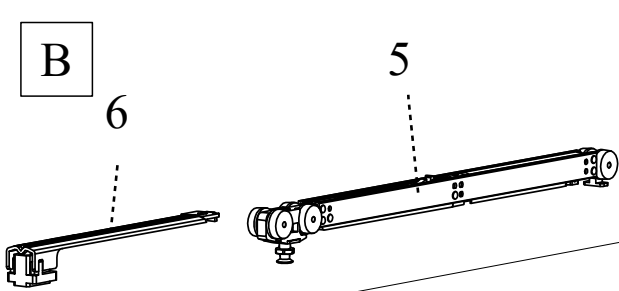
A: 4 - 3 - 5 - 6 → 1
B: 6 - 5 - 5 - 6 → 1

A: 6 - 5 - 3 - 4 → 1
B: 6 - 5 - 5 - 6 → 1

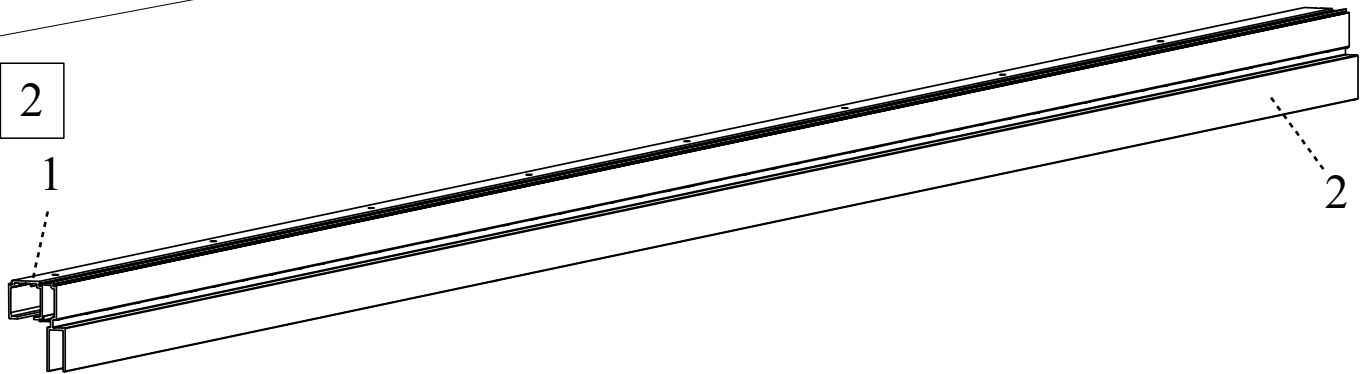
A



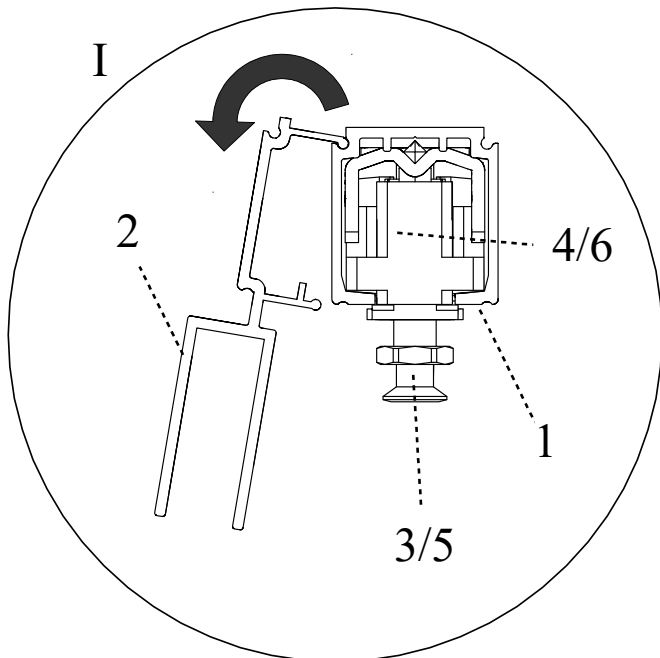
B



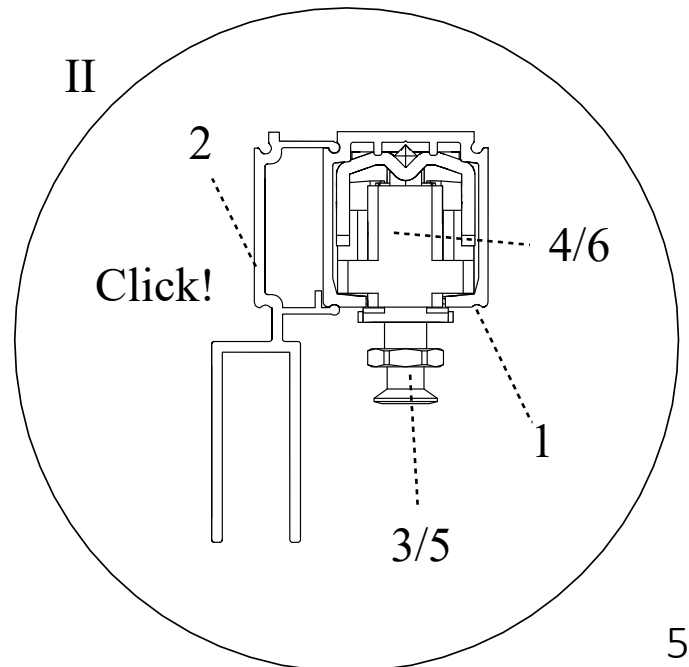
2

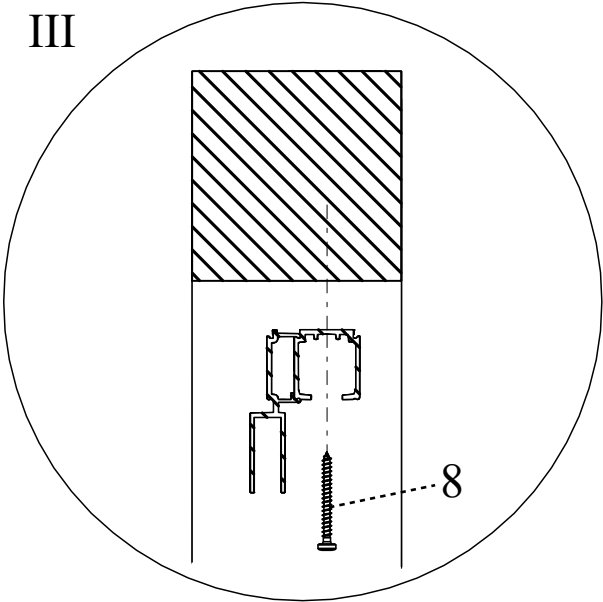
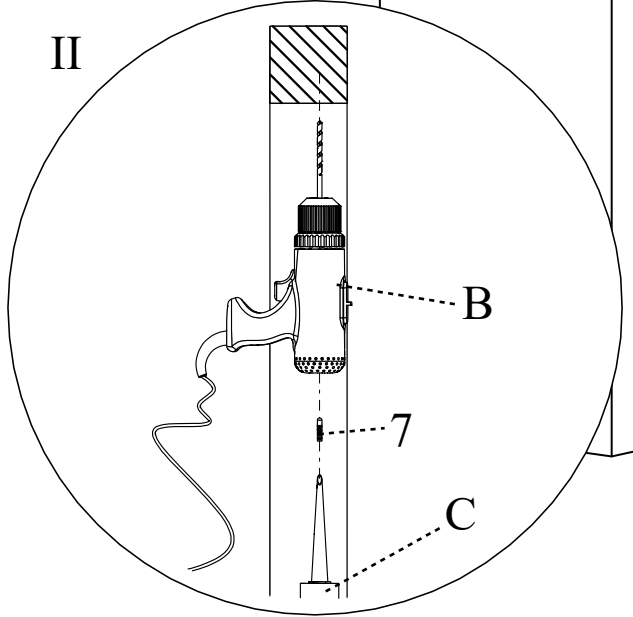
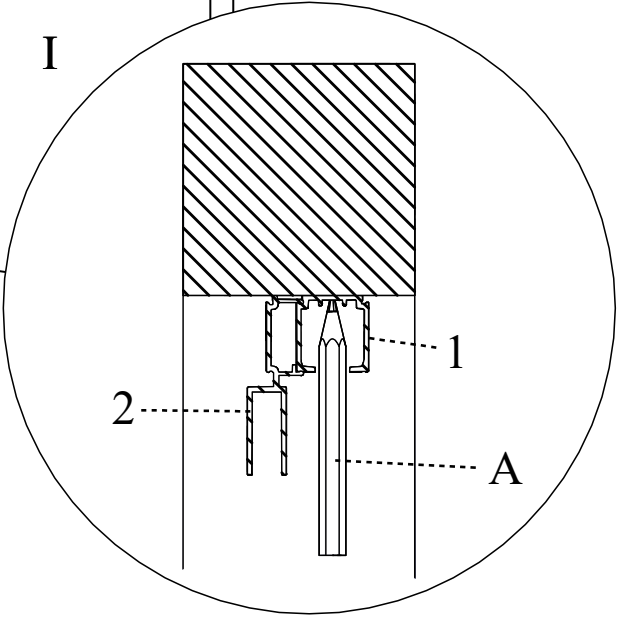
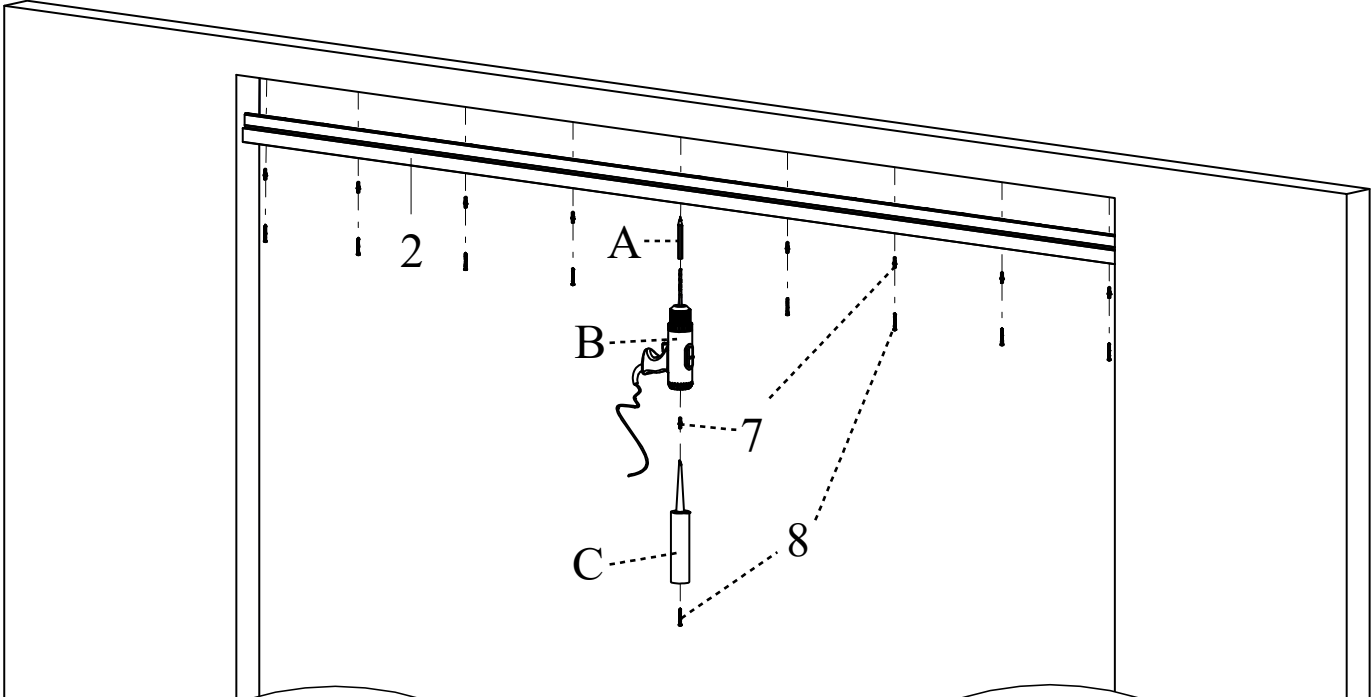


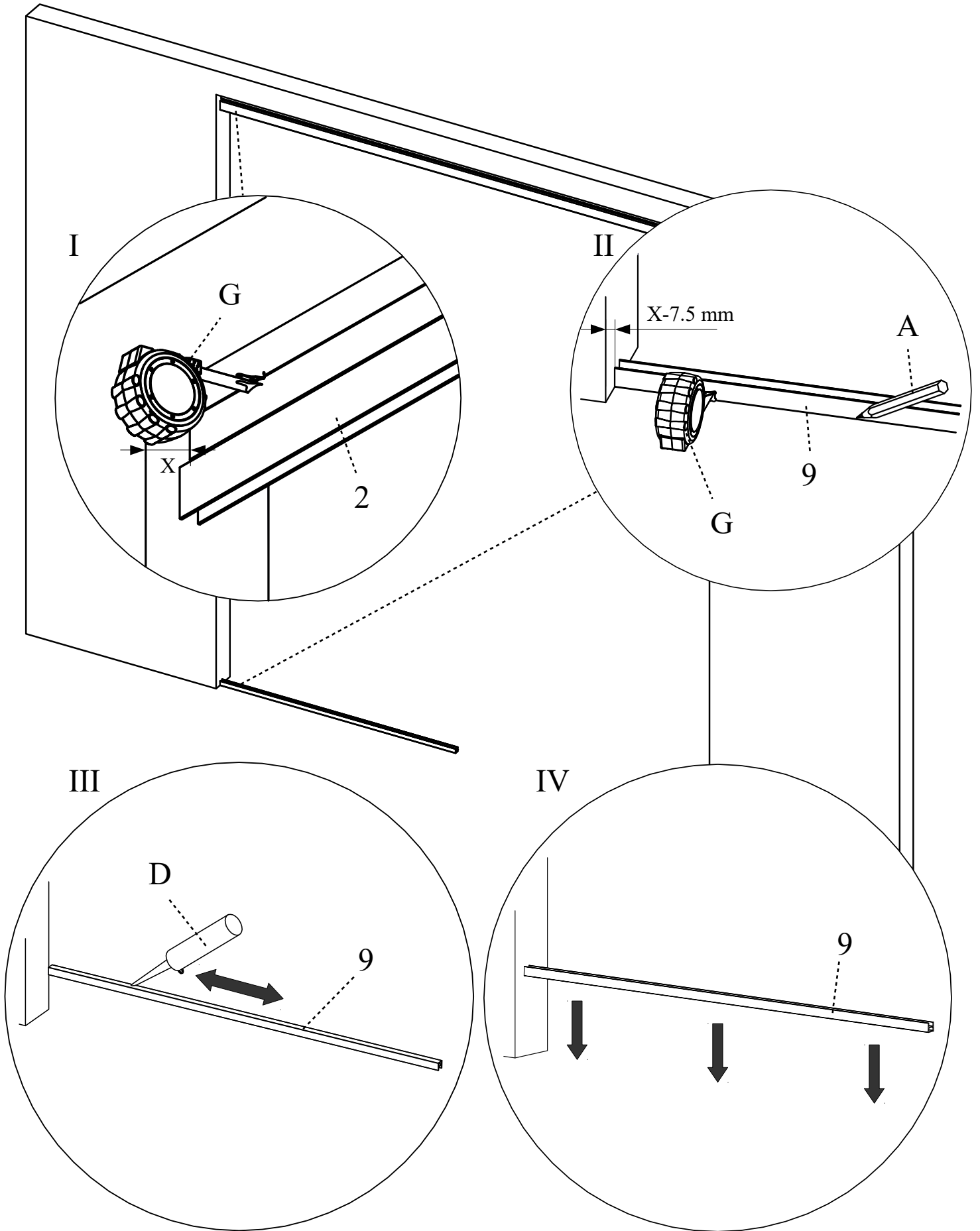
I



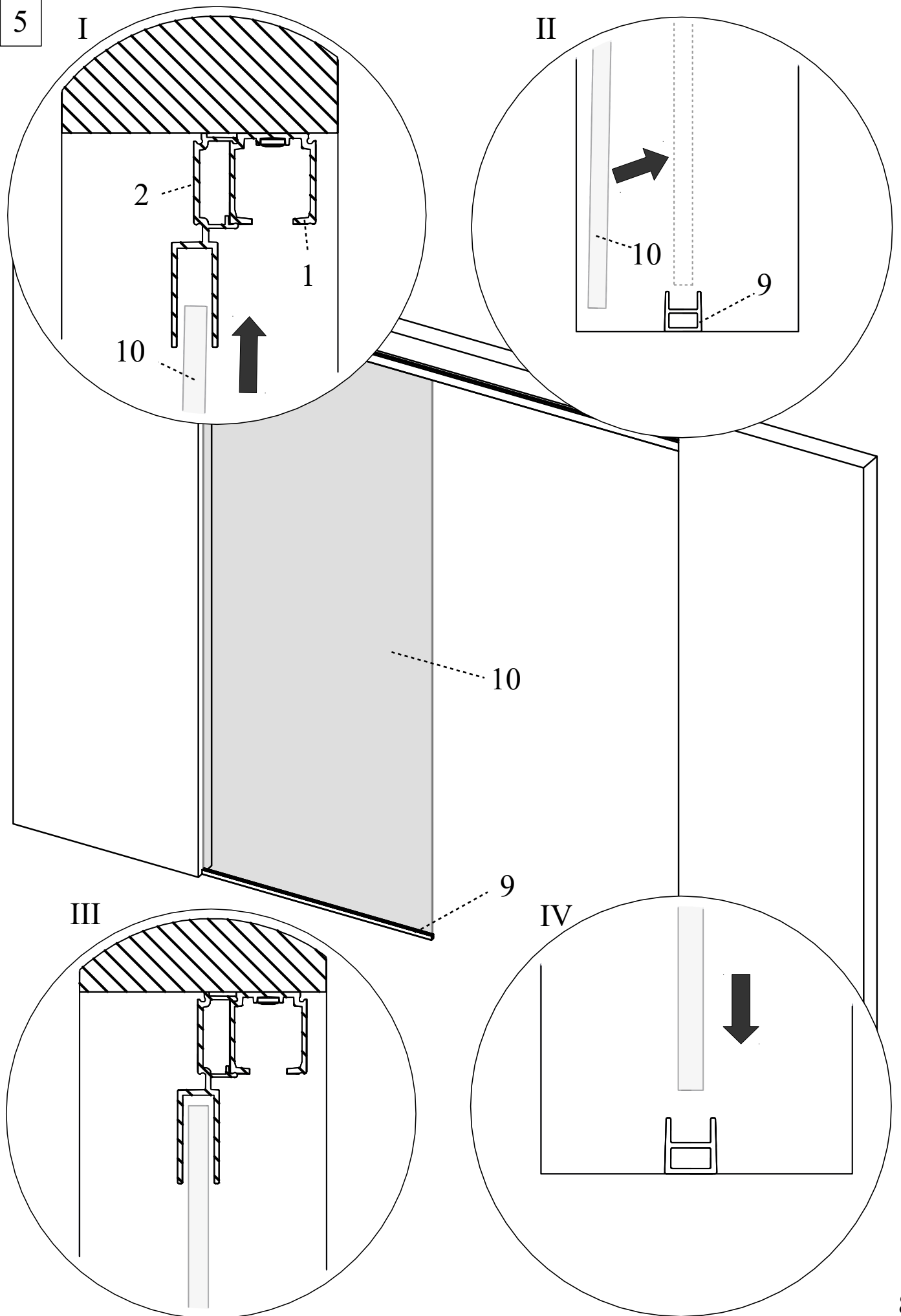
II



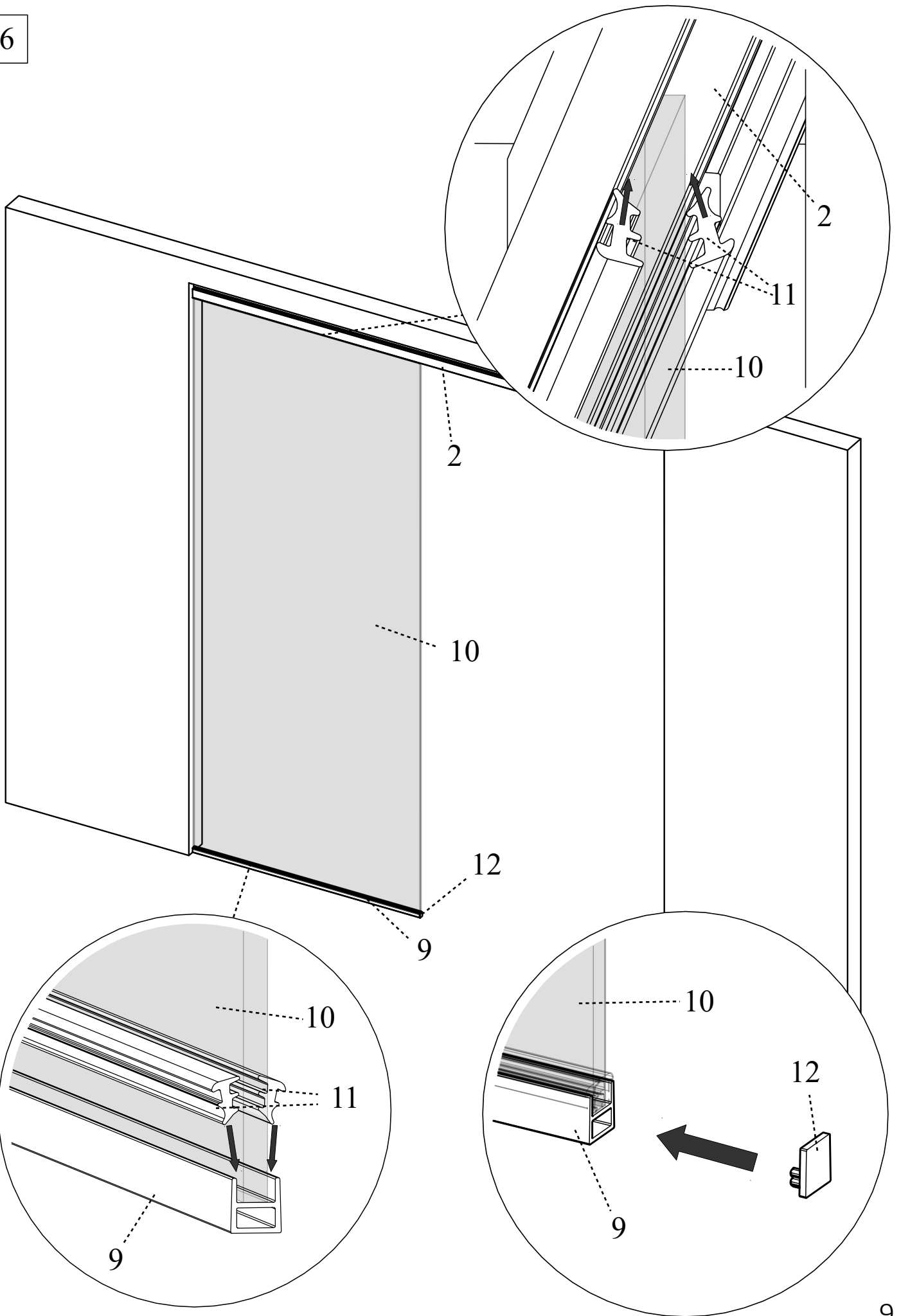




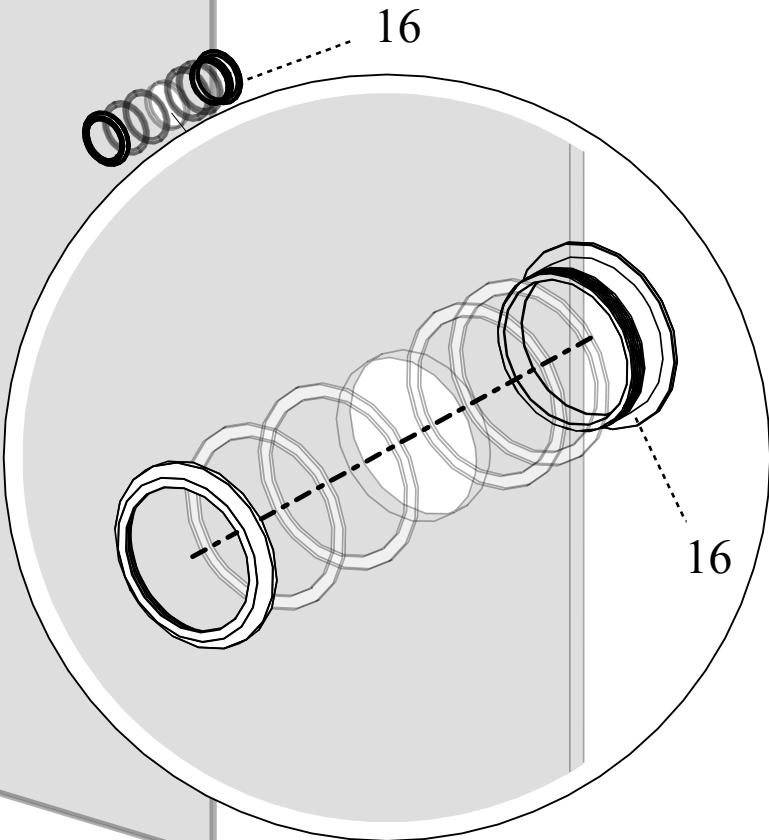
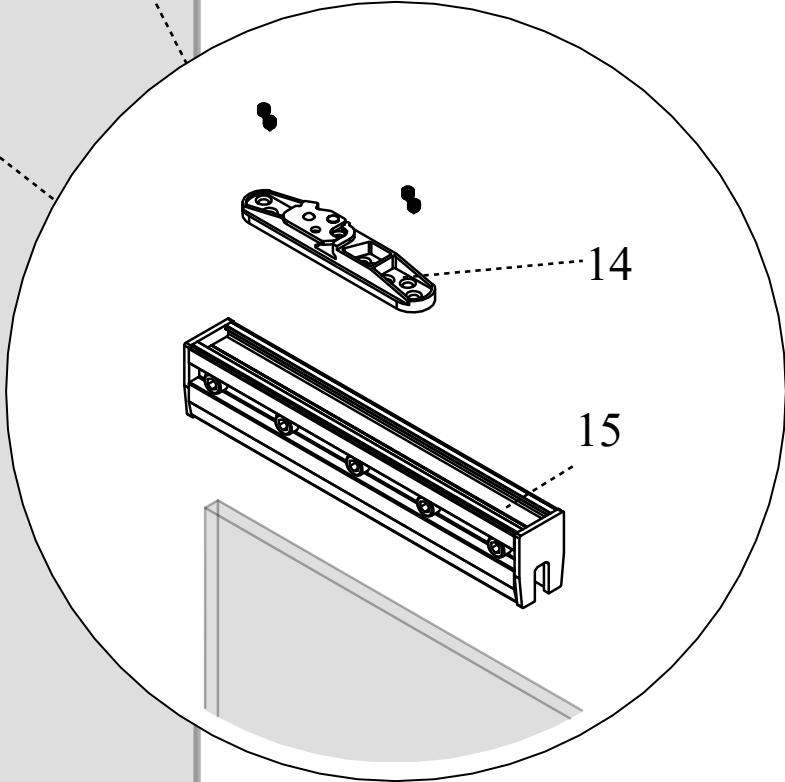
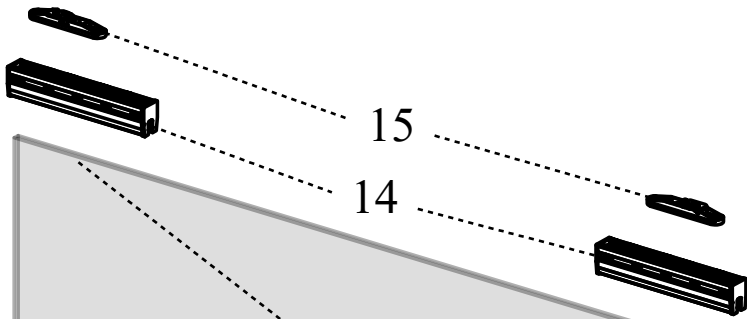
5



6



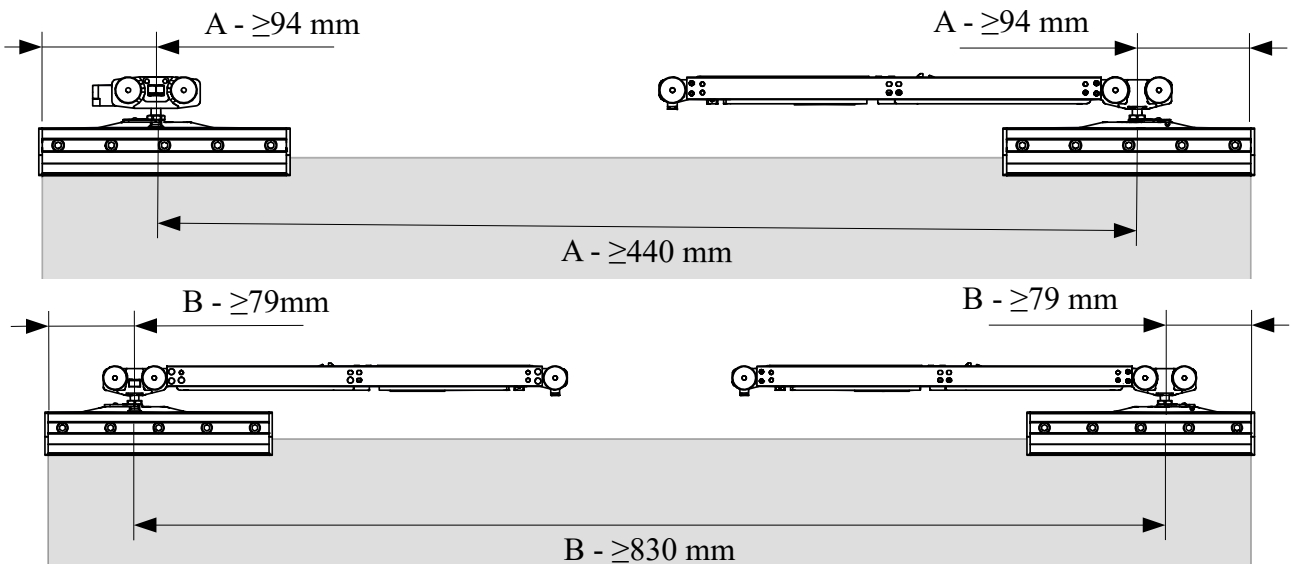
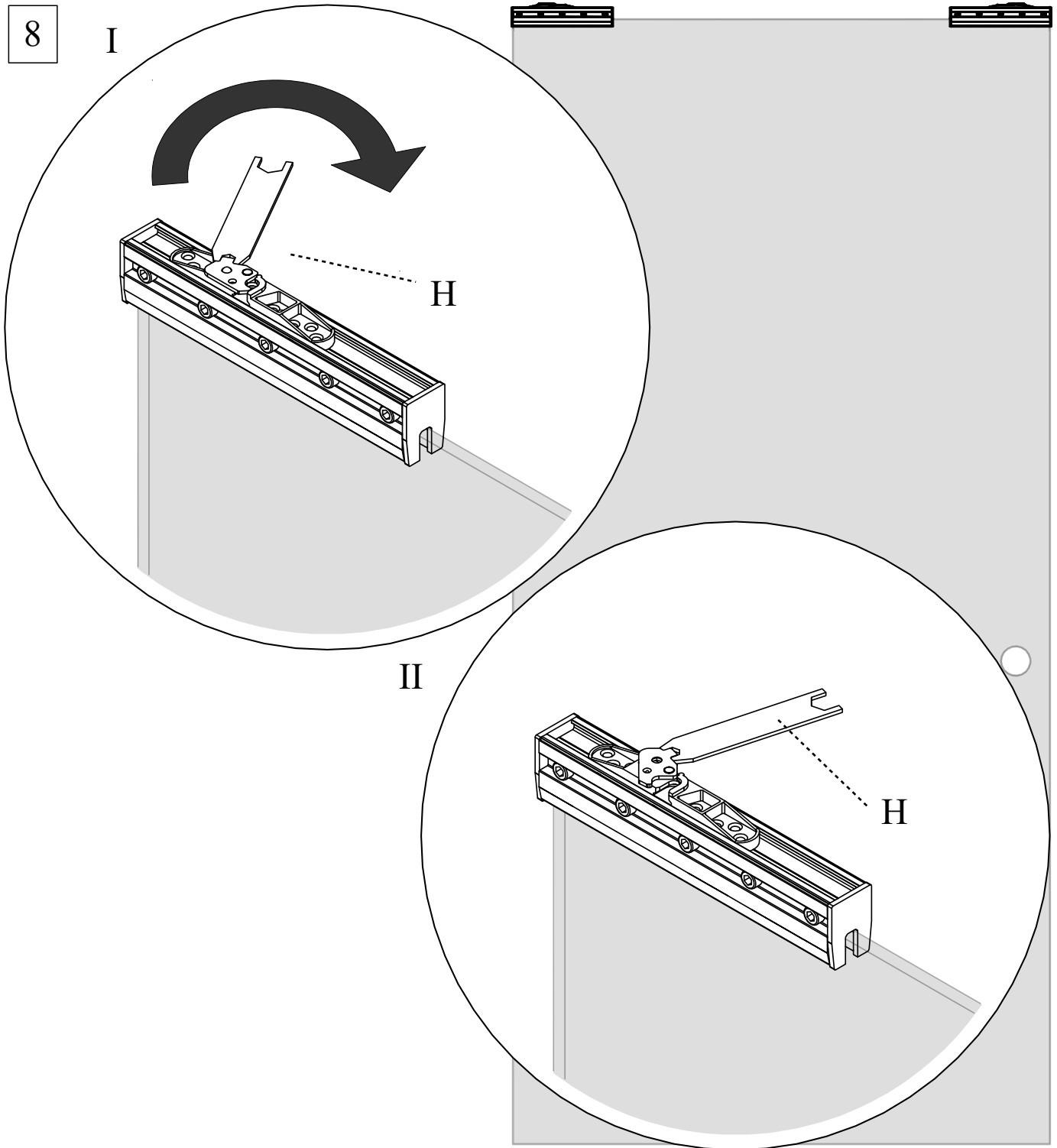
7

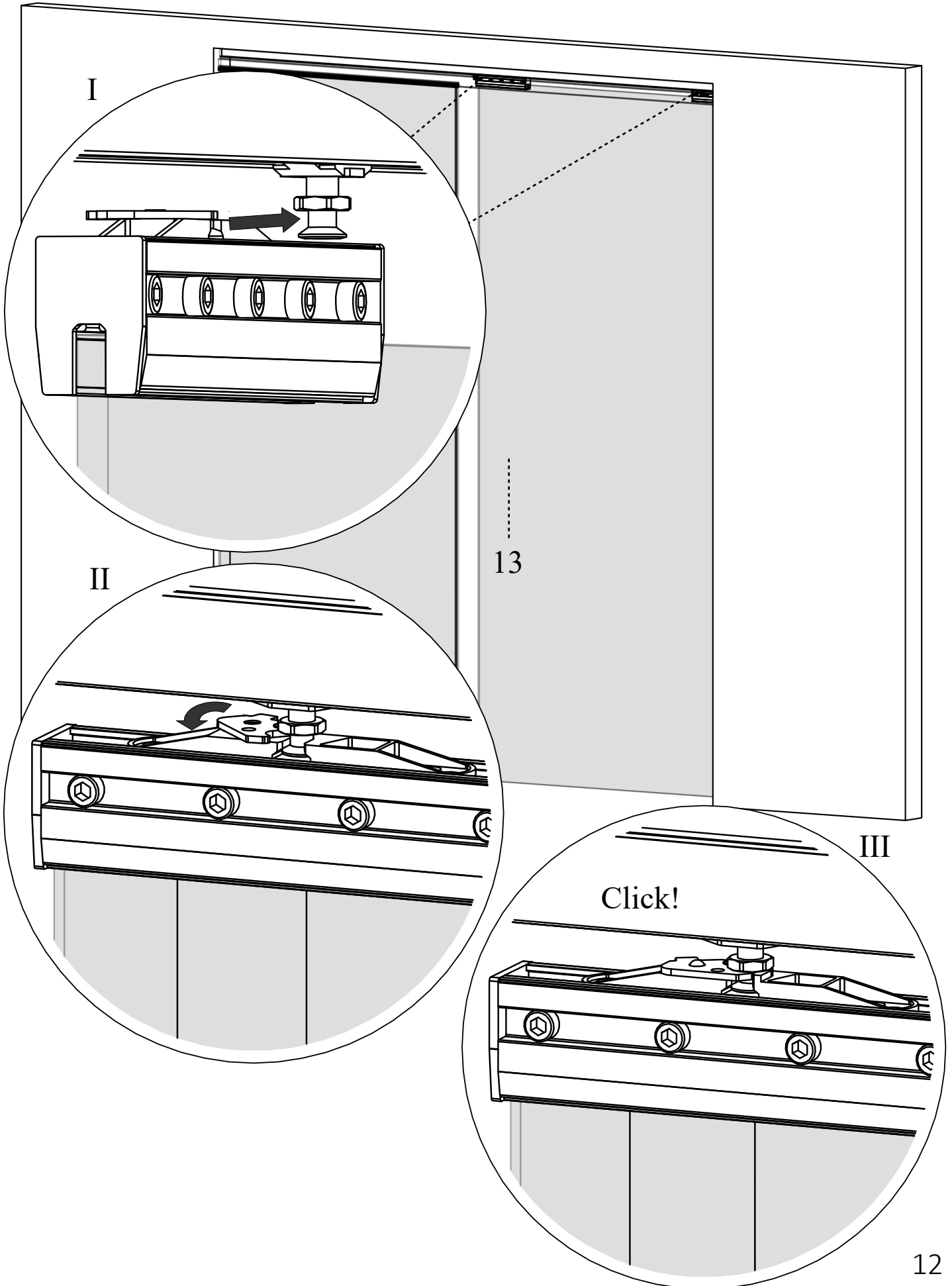


13

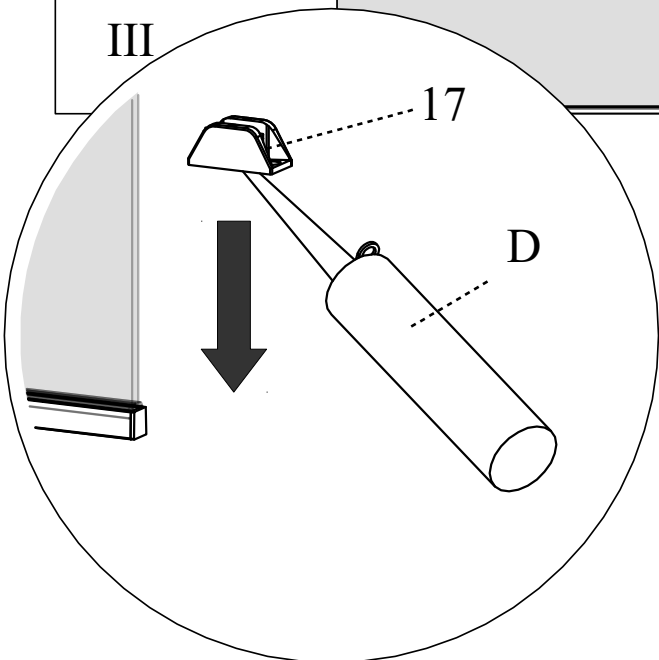
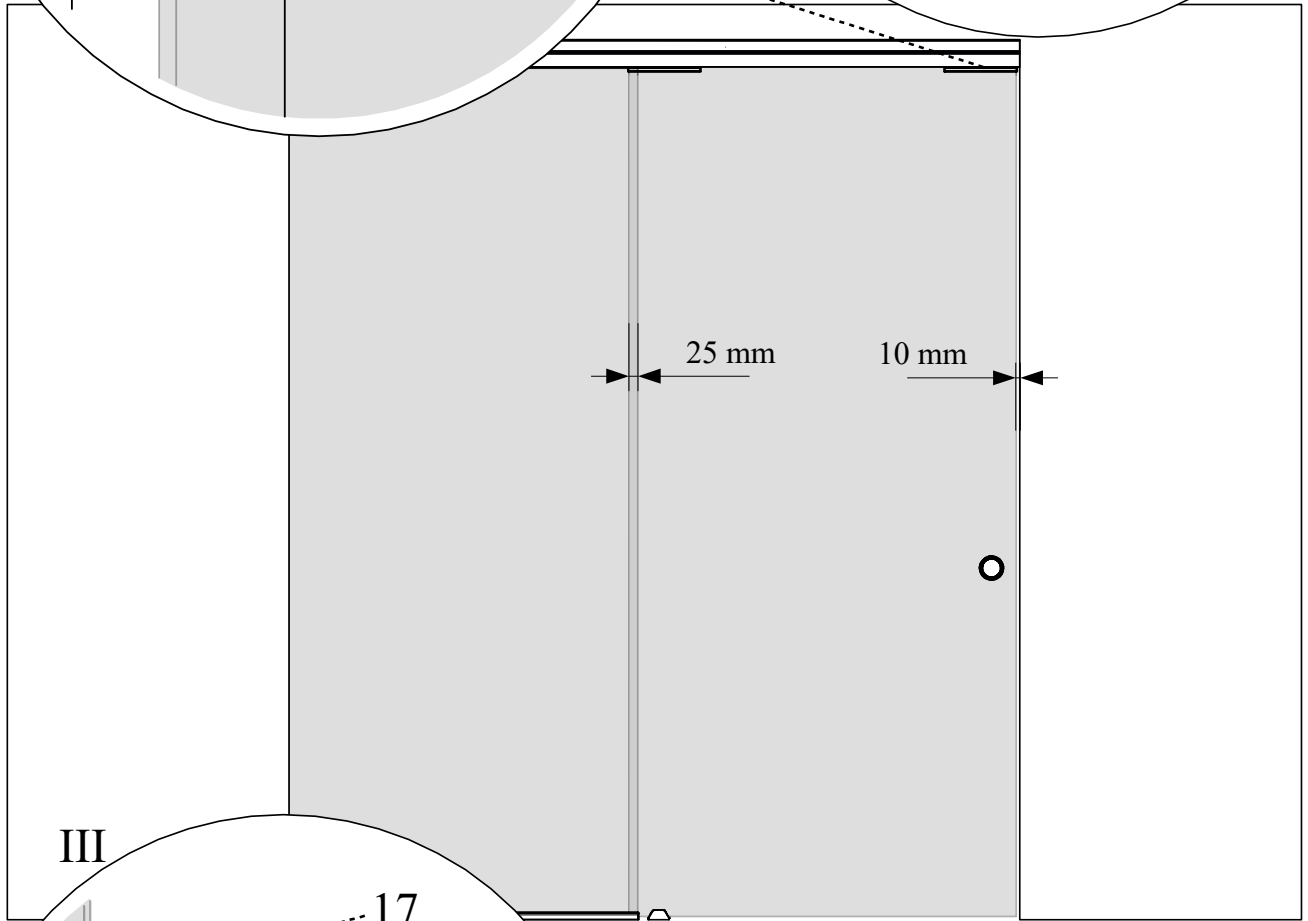
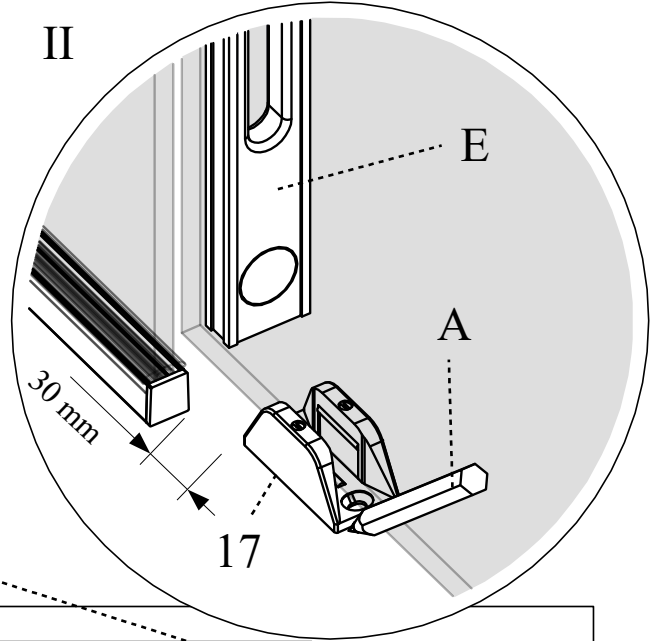
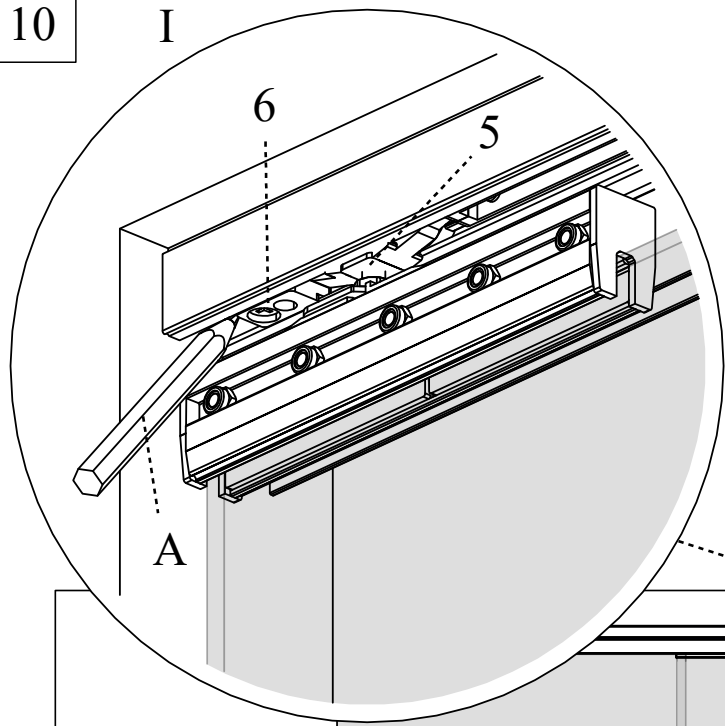
10

8

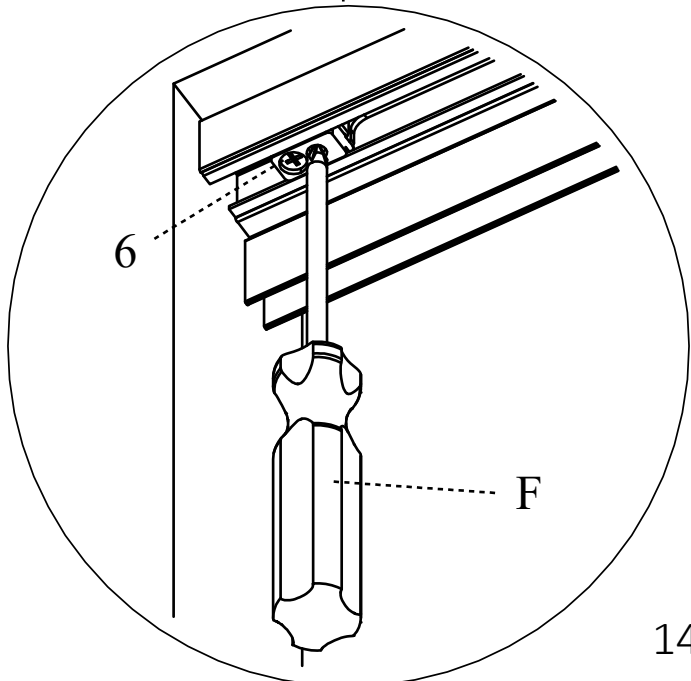
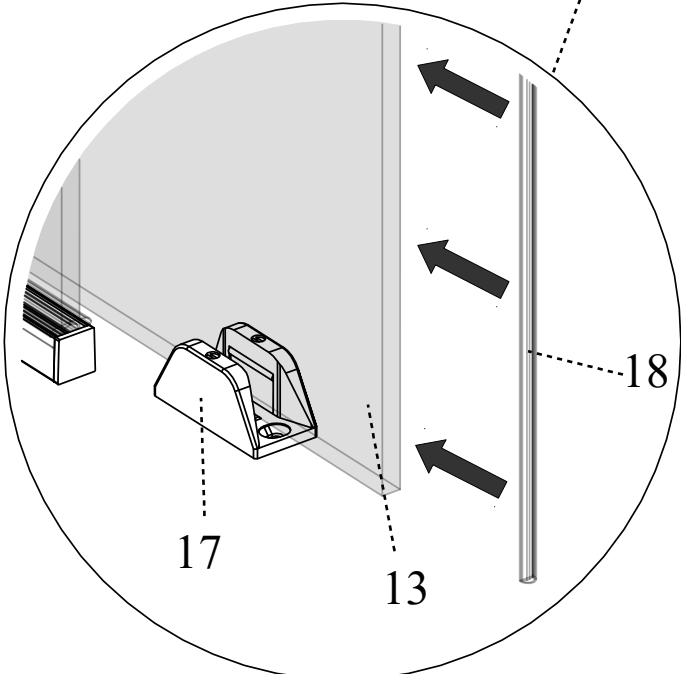
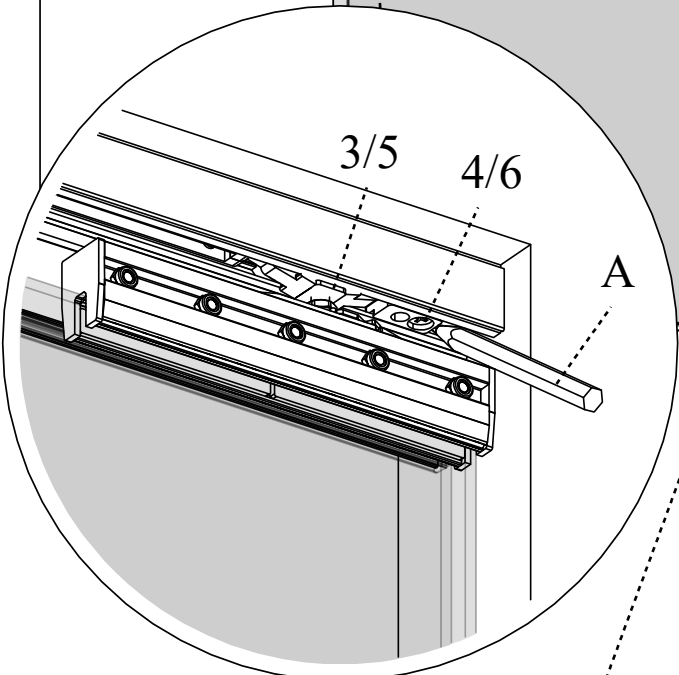
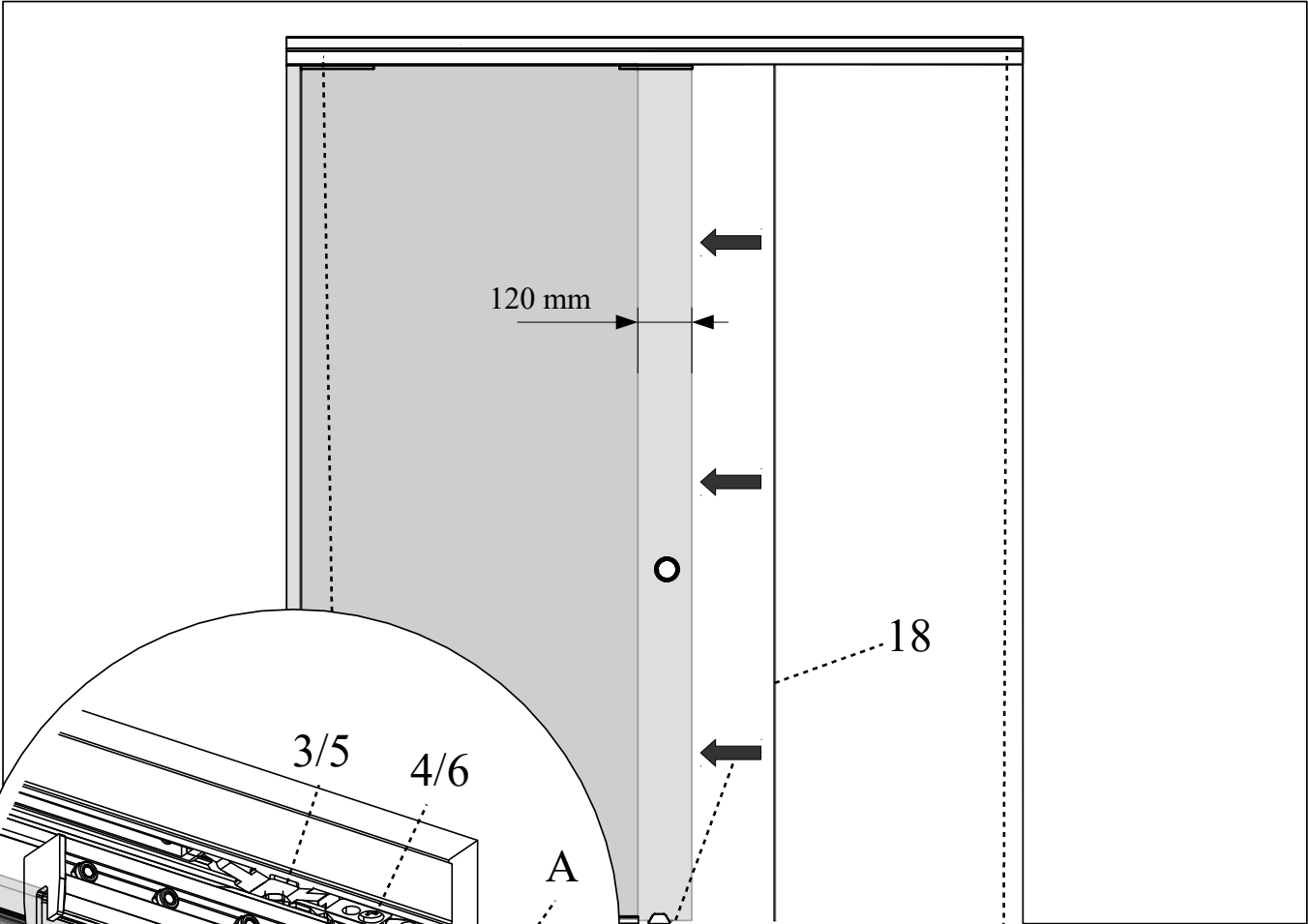




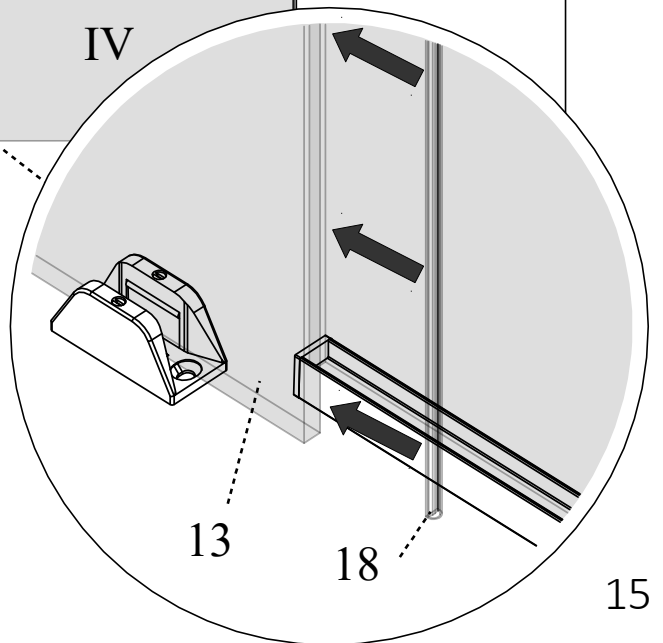
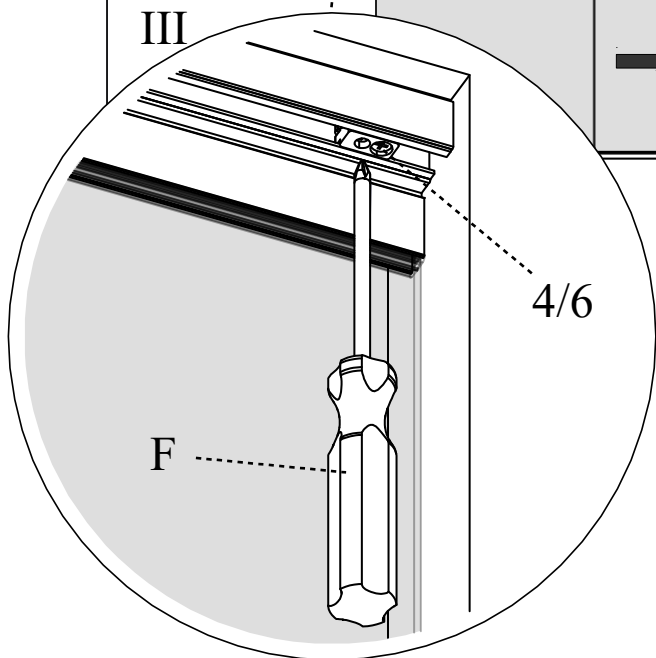
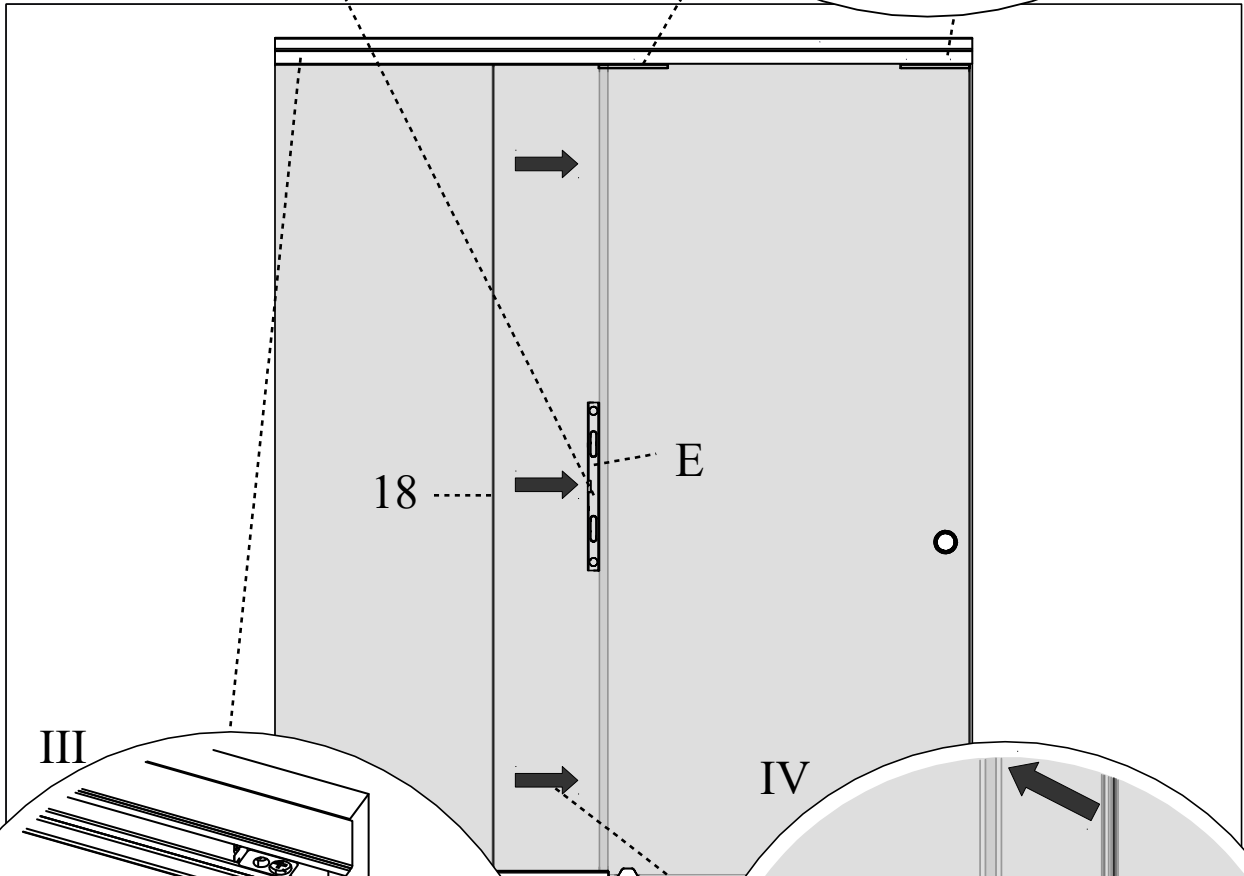
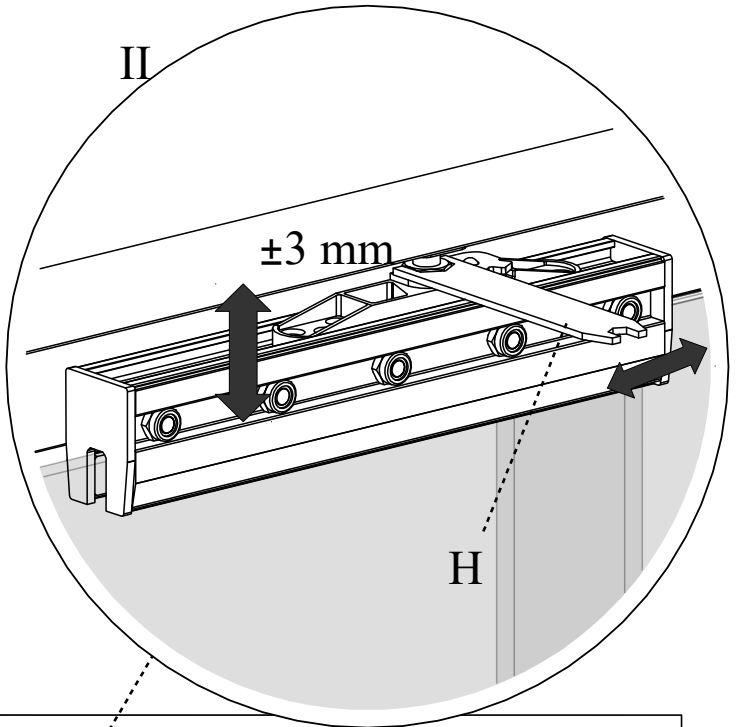
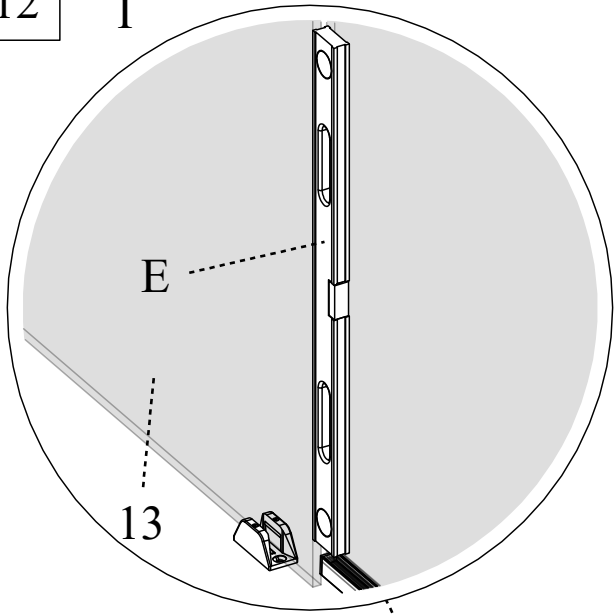
10



11



12



13

