

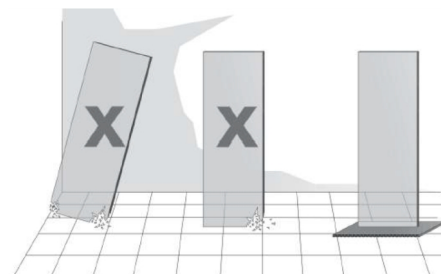
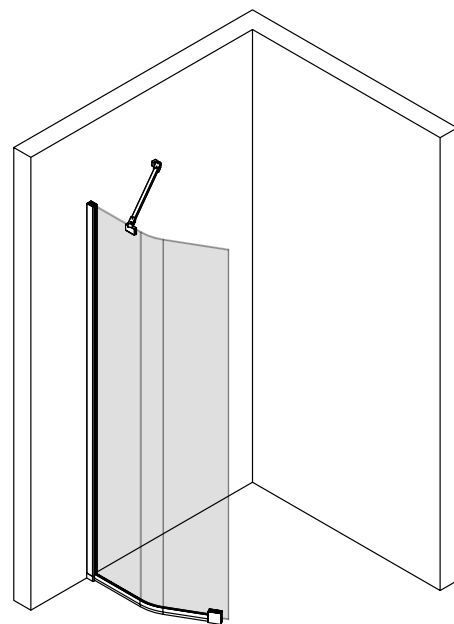
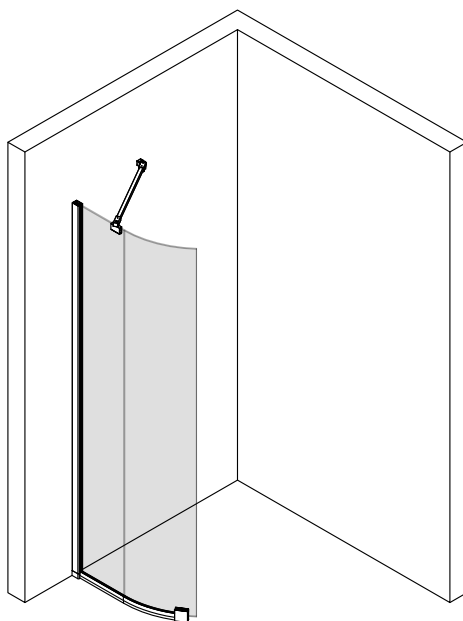
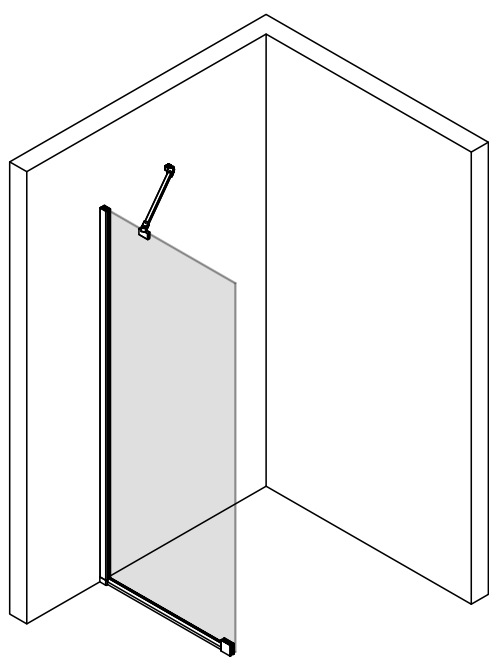


HIETAKARI®

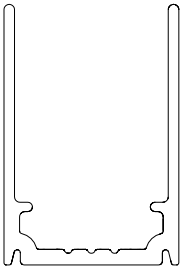


8/25 9ARLM

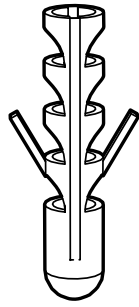
INFINIA 211, 221,231



Parts

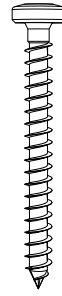


1. x1



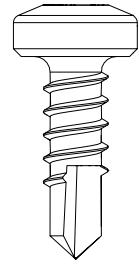
4/83 13RLM

2. 6x30 mm
X5



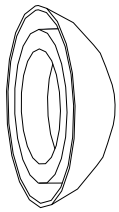
4/83 11RLM

3. 4.5x44 mm
x5



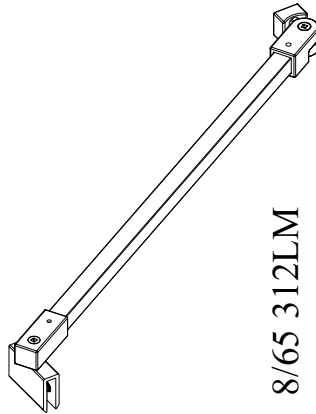
4/83 24RLM

4. x4



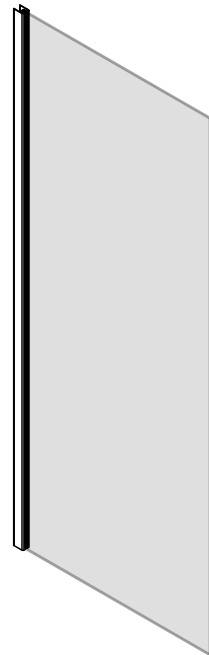
4/83 23RLM

5. x4

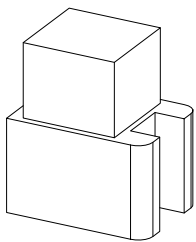


8/65 312LM

6. x1

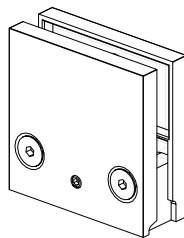


7. x1



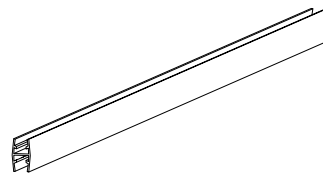
4/83 A28LM

8. x1



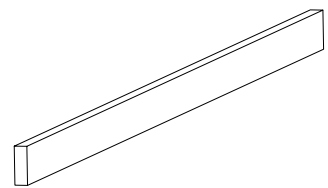
8/65 242LM

9. x1



1/42 B0RLM

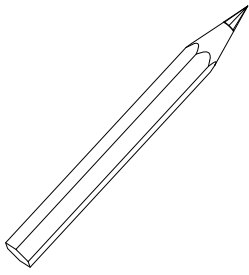
10. x1



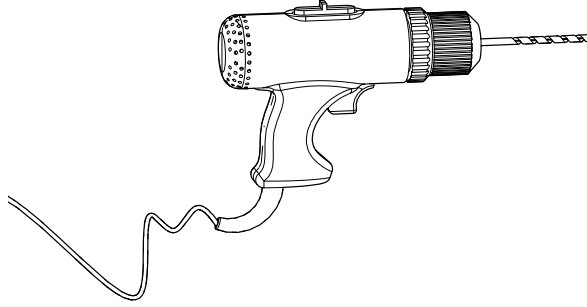
4/83 618LM

11. x1

Tools



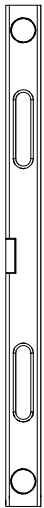
A



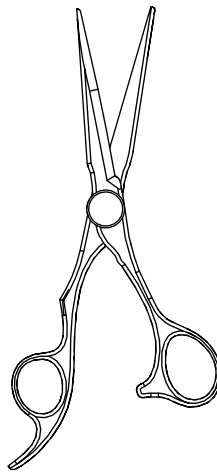
Ø6 mm
B



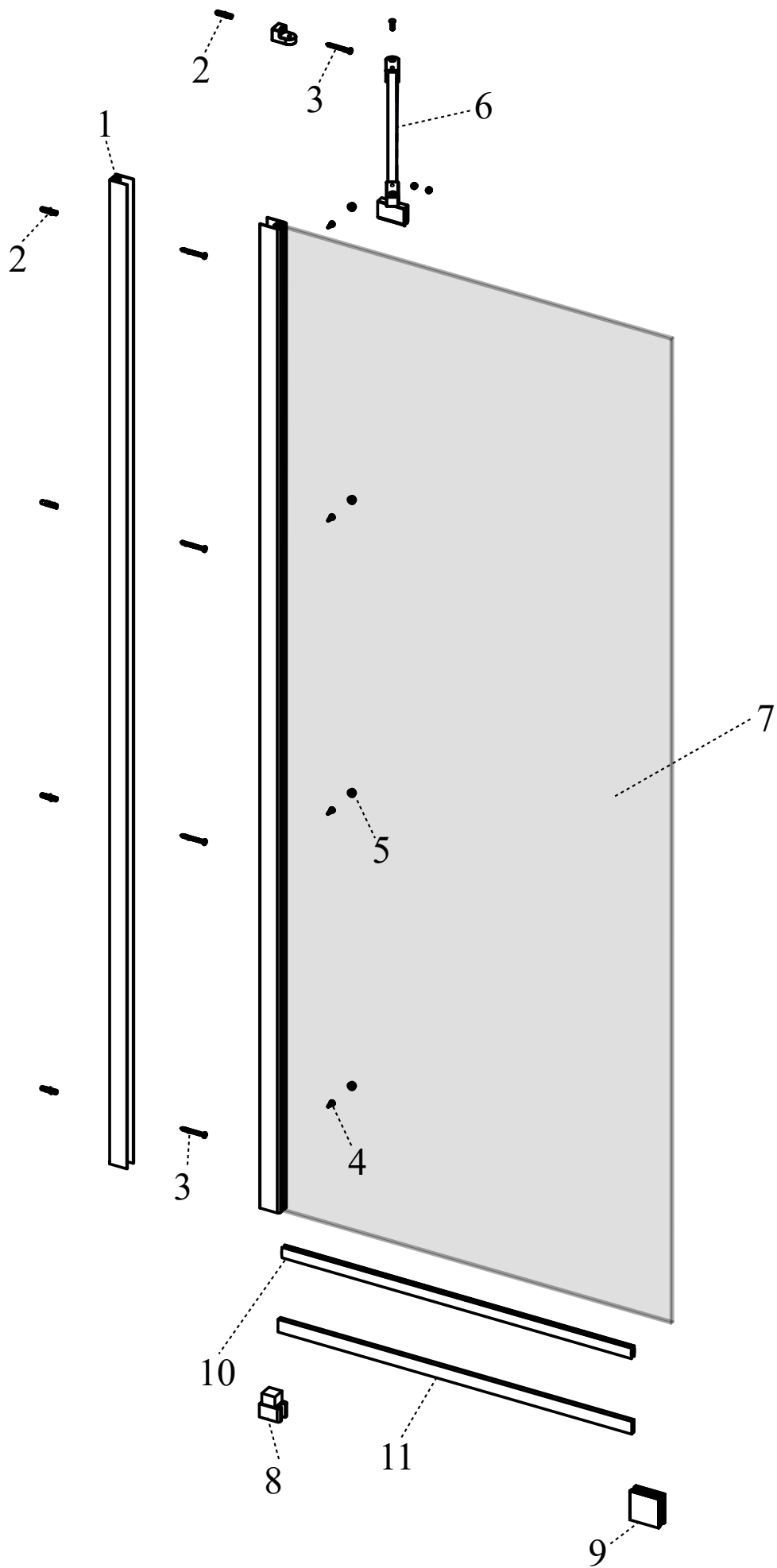
C – Silicone
D – Glue



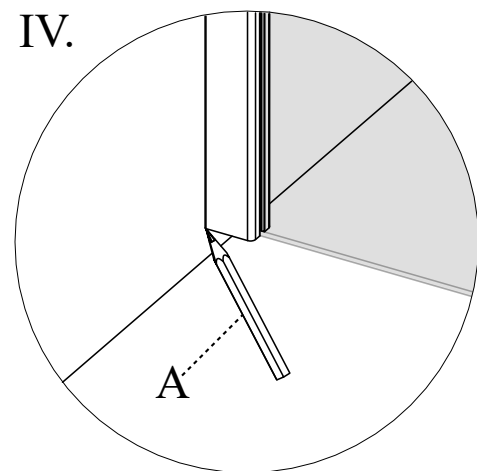
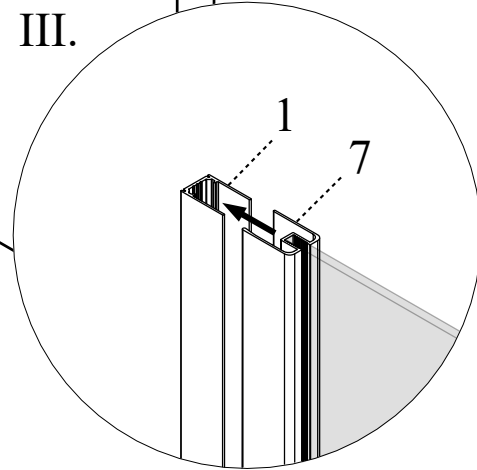
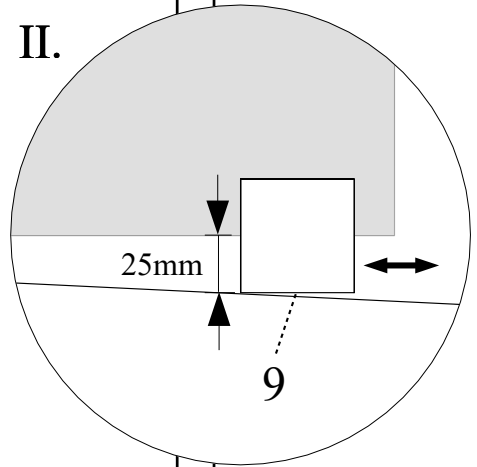
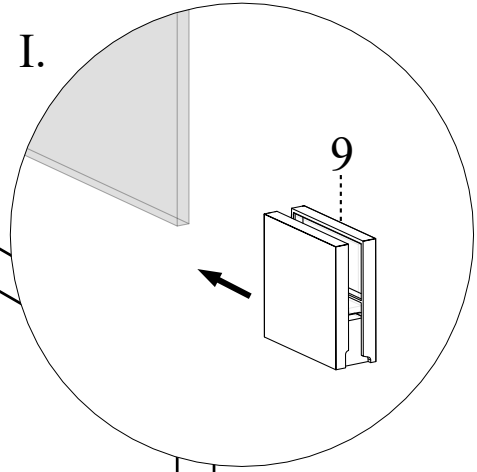
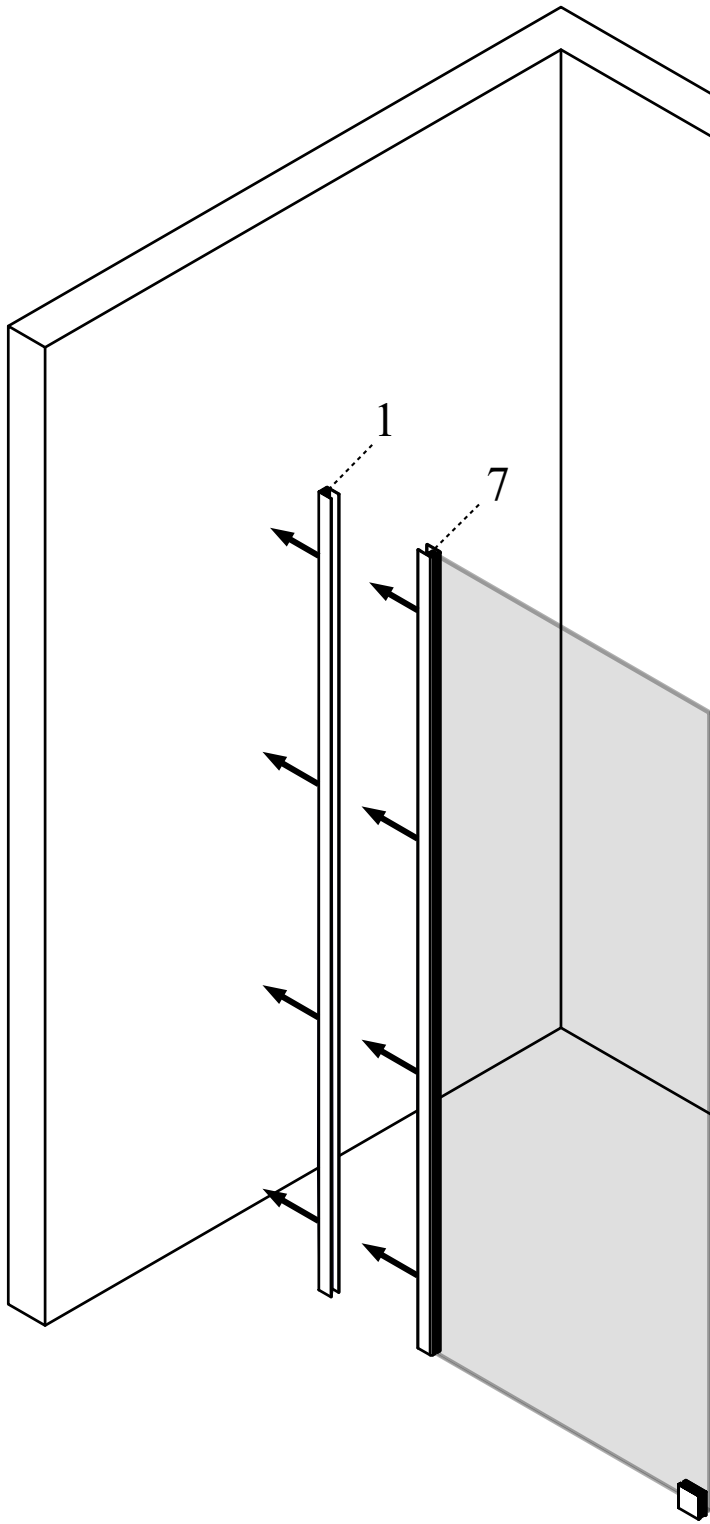
E



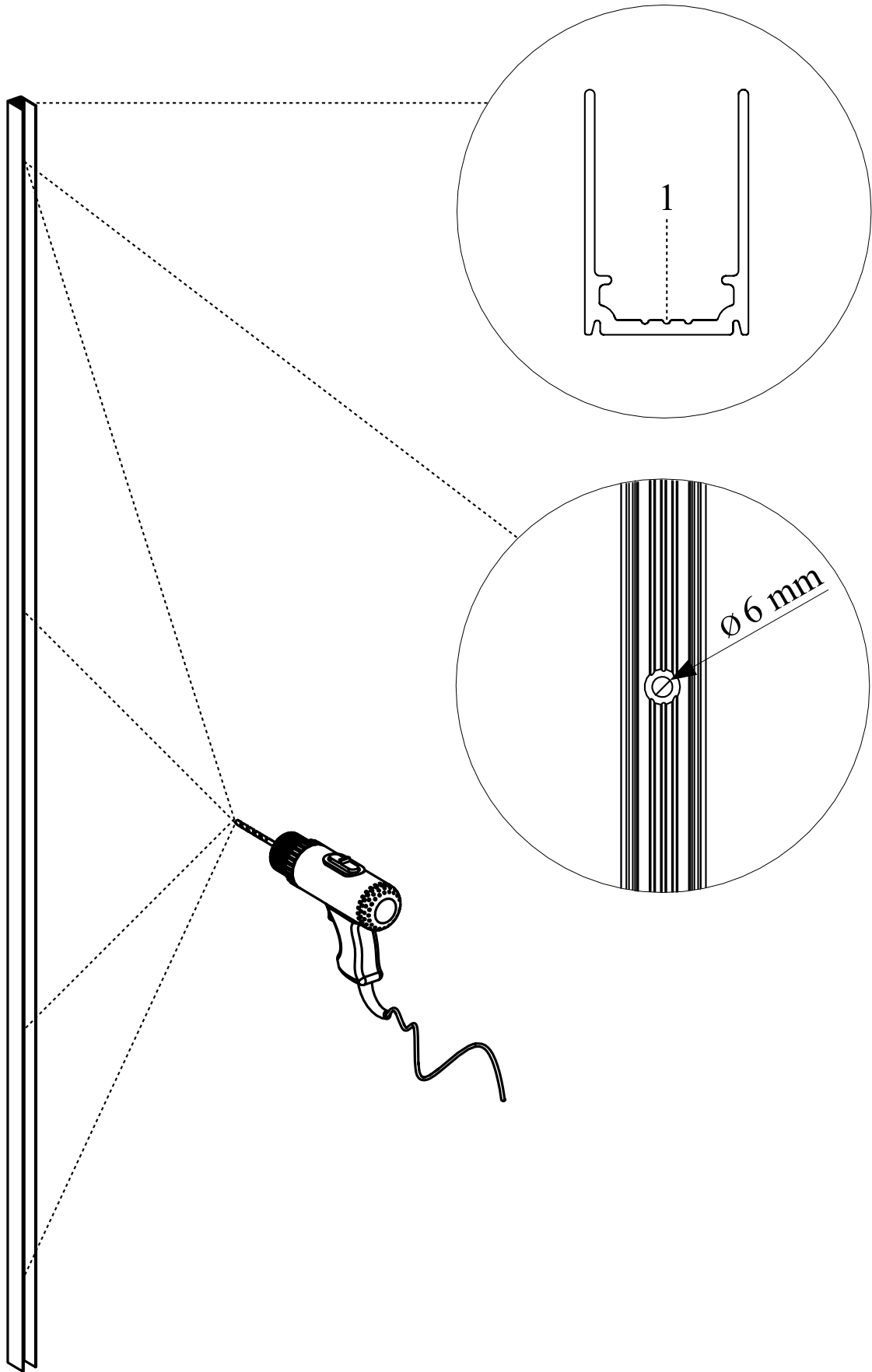
F

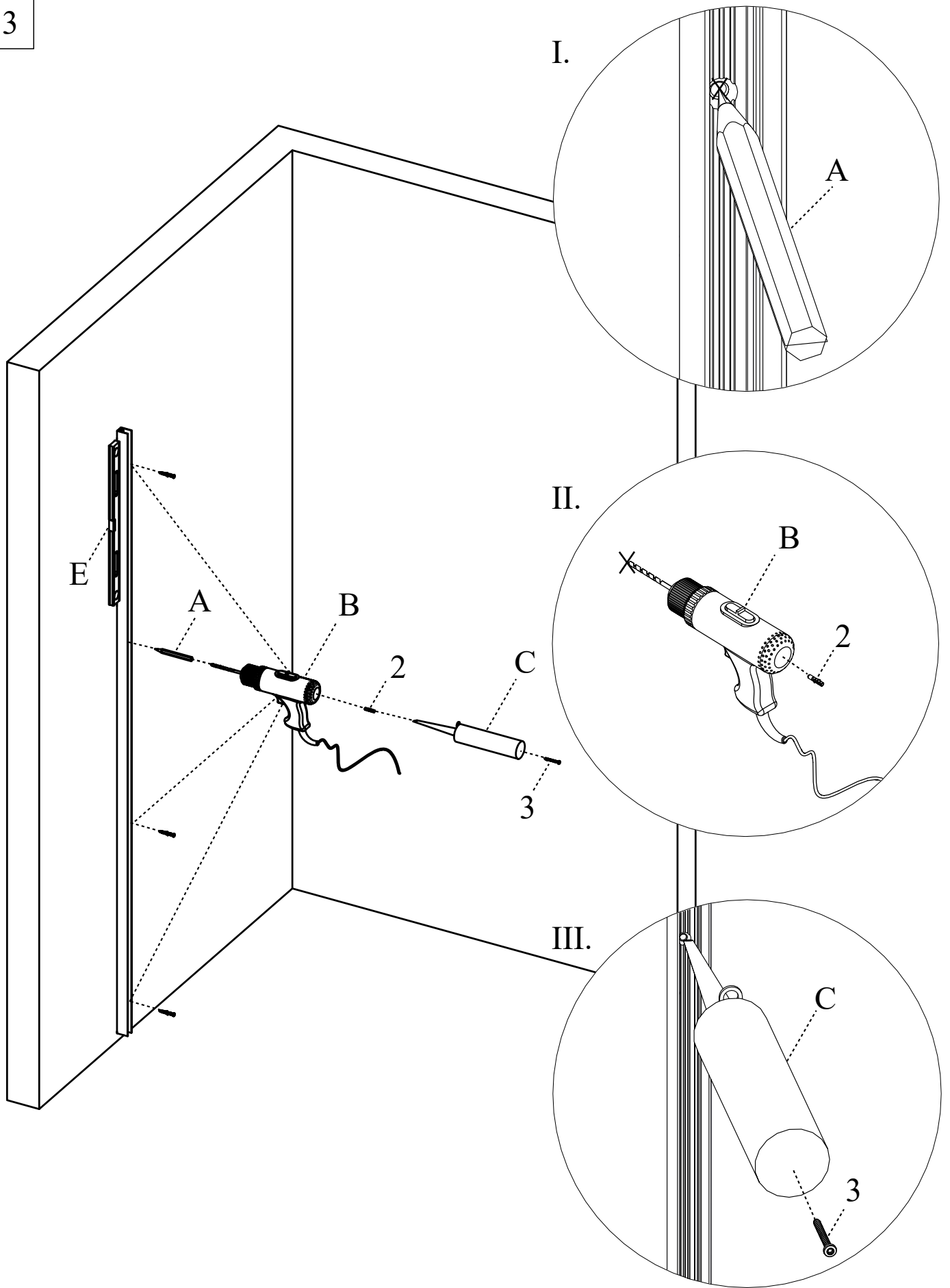


1



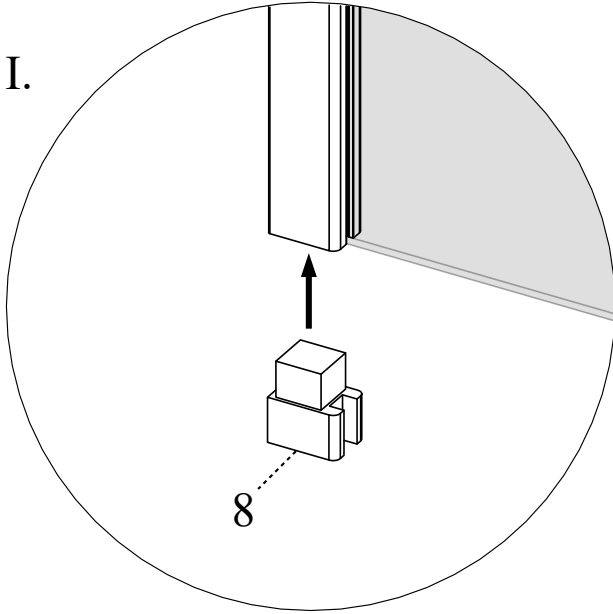
2



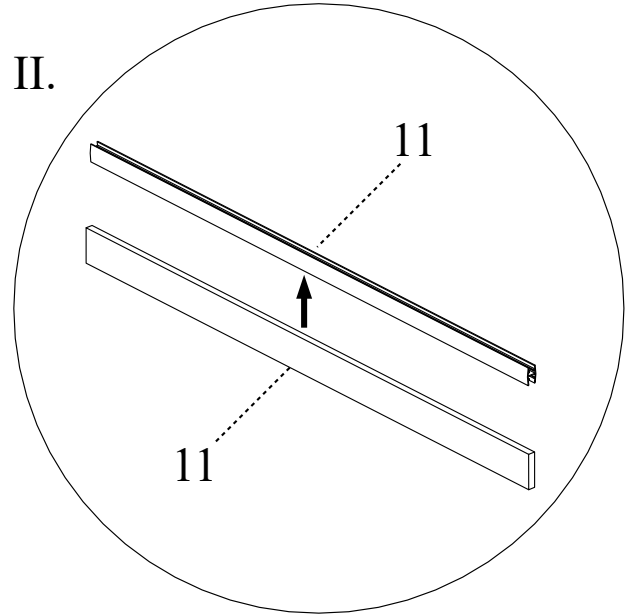


4

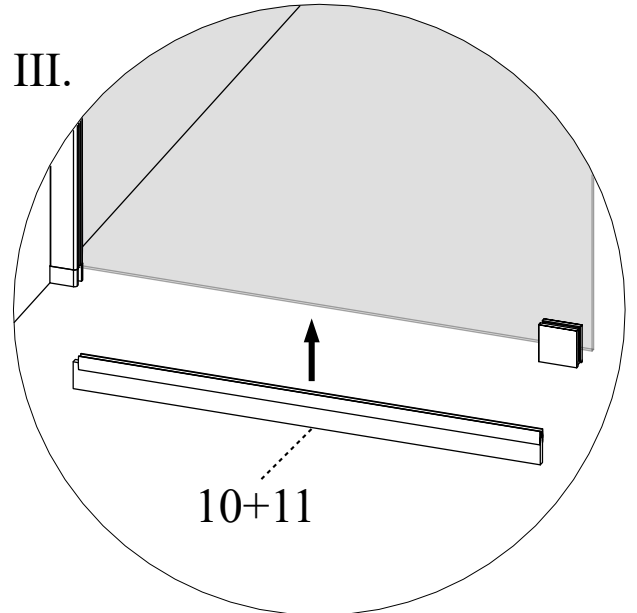
I.



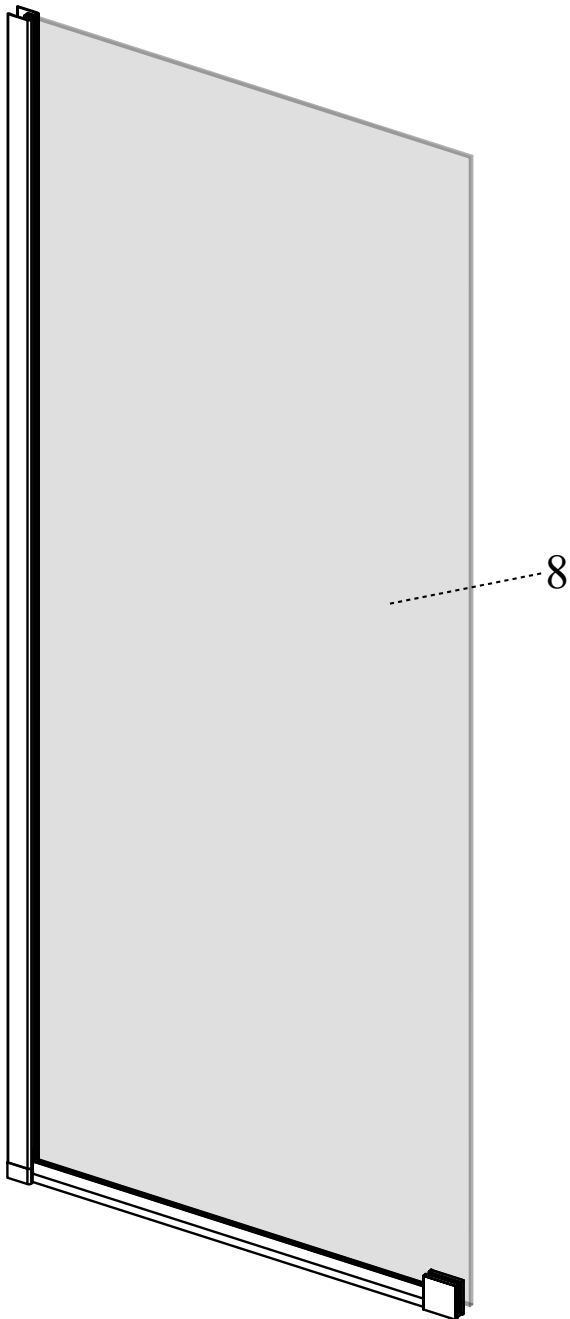
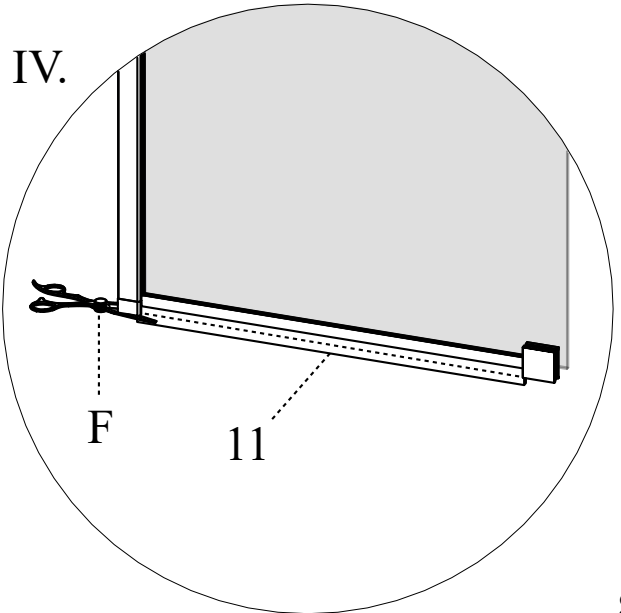
II.



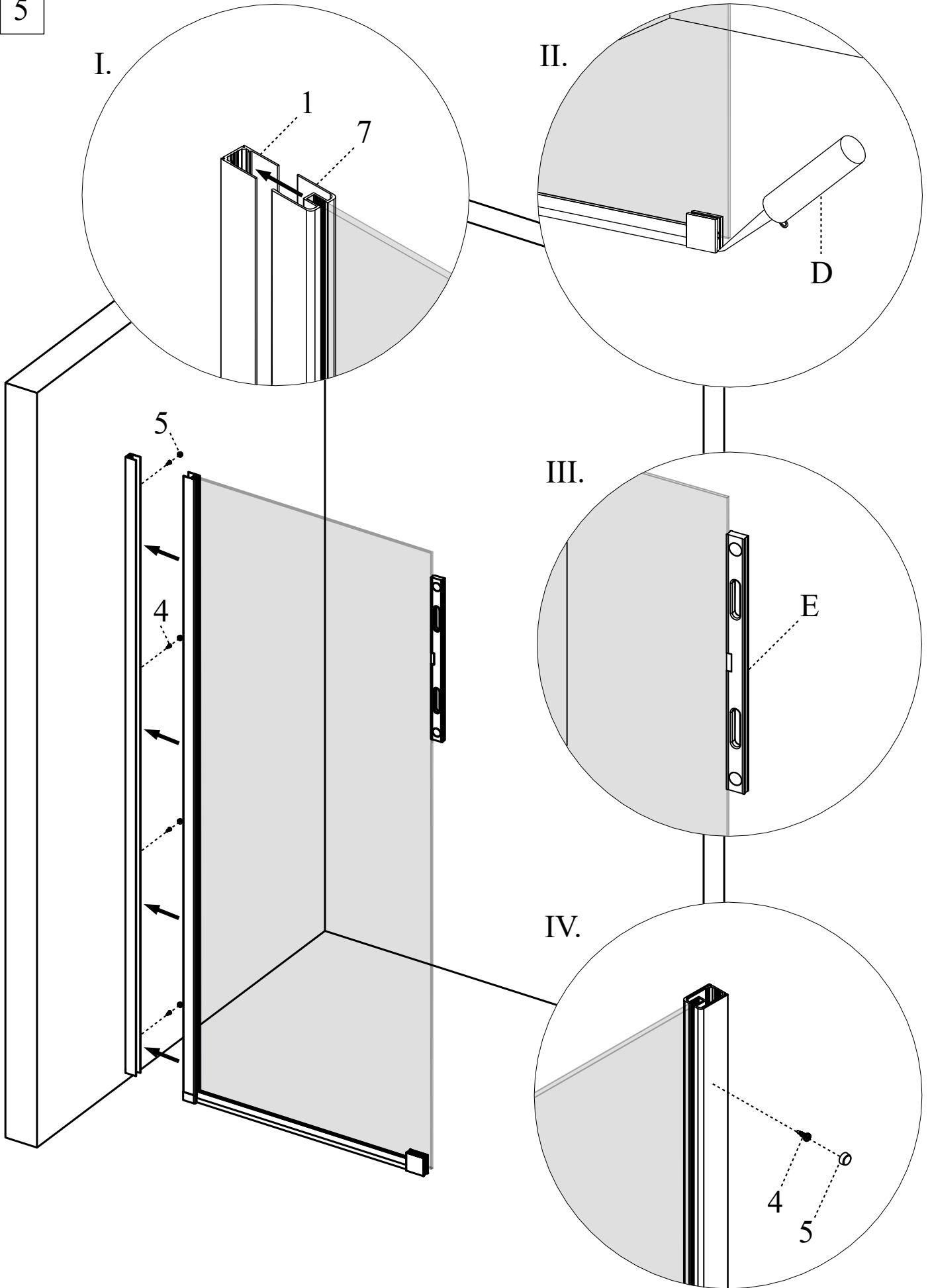
III.



IV.



5



6

